

Spare Parts List



Applicator

A1000

Made in Germany

for the following products

| Family | Type |
|-----------------------|-----------|
| A1000 from SN 2200 | A1000-150 |
| | A1000-220 |
| | A1000-300 |
| | A1000-400 |

Table of Contents

| | | |
|---|--|----|
| 1 | Chassis, PCBs, Service Unit | 3 |
| 2 | Valve Terminal, Vacuum Generator | 4 |
| 3 | Energy Track..... | 5 |
| 4 | Cylinder Assembly, Blow Tube..... | 6 |
| 5 | Universal Pads..... | 7 |
| 6 | Spare Parts Register | 8 |
| 7 | Packaging/Accessories..... | 10 |

Edition: 07/2017 - Art.-Nr. 9009038

Copyright

This documentation as well as translation hereof are property of cab Produkttechnik GmbH & Co. KG.

The replication, conversion, duplication or divulgement of the whole manual or parts of it for other intentions than its original intended purpose demand the previous written authorization by cab.

Editor

Regarding questions or comments please contact cab Produkttechnik GmbH & Co. KG.

Topicality

Due to the constant further development of our products discrepancies between documentation and product can occur. Please check www.cab.de for the latest update.

Terms and conditions

Deliveries and performances are effected under the General conditions of sale of cab.

Germany

cab Produkttechnik
GmbH & Co KG
Postfach 1904
D-76007 Karlsruhe
Wilhelm-Schickard-Str. 14
D-76131 Karlsruhe
Telefon +49 721 6626-0
Telefax +49 721 6626-249
www.cab.de
info@cab.de

France

cab technologies s.a.r.l.
F-67350 Niedermodern
Téléphone +33 388 722 501
www.cab.de/fr
info.fr@cab.de

USA

cab Technology Inc.
Tyngsboro MA, 01879
Phone +1 978 649 0293
www.cab.de/us
info.us@cab.de

Asia 亚洲

cab Technology Co., Ltd.
希愛比科技股份有限公司
Junghe, Taipei, Taiwan
Phone +886 2 8227 3966
www.cab.de/tw
info.asia@cab.de

China 中国

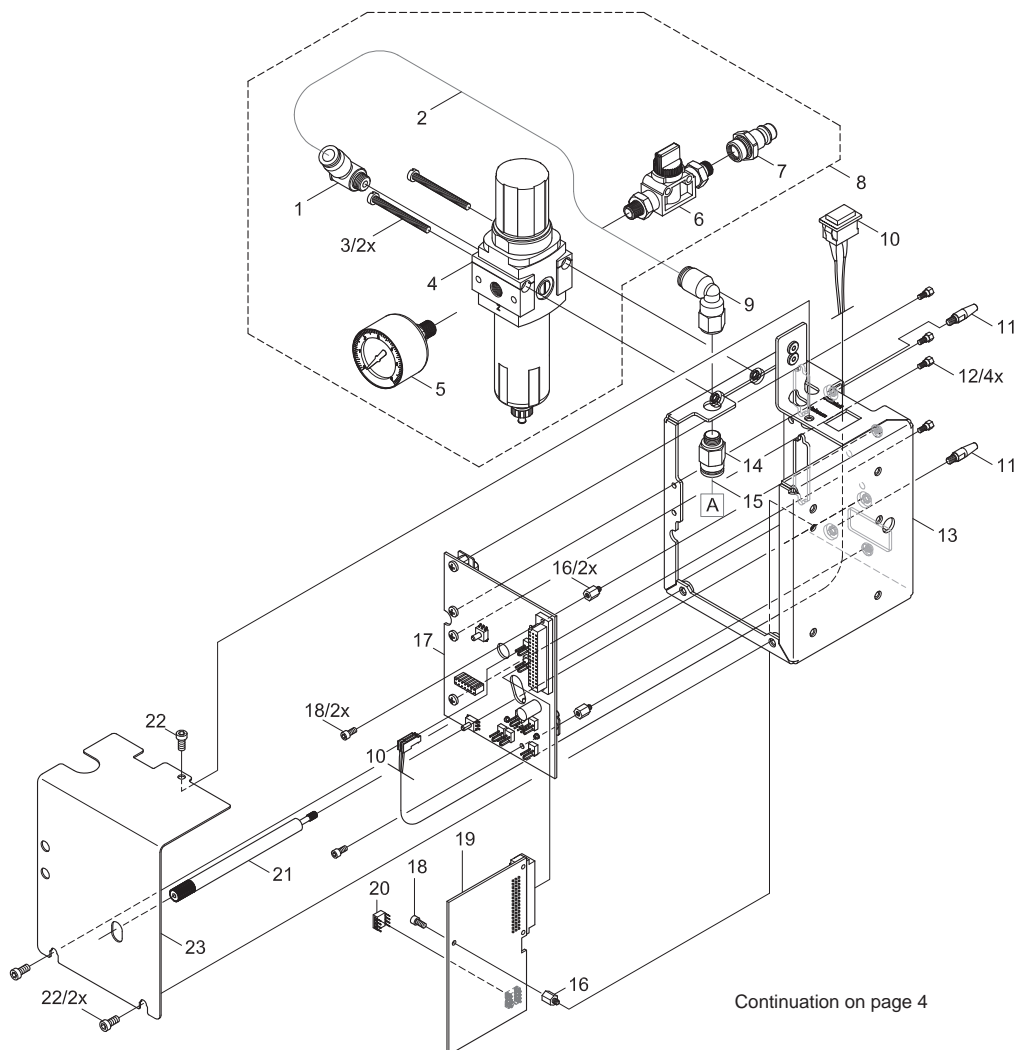
cab (Shanghai) Trading Co., Ltd.
乾博(上海)贸易有限公司
Phone +86 21 6236-3161
www.cab.de/cn
info.cn@cab.de

Representatives in other countries on request

| No. | Part No. | Description | PU | Serial No. | |
|-----|-------------|---------------------|----|------------|----|
| | | | | from | to |
| 1 | 5906913.001 | Push-in L-Connector | 1 | | |
| 2 | 5949411.001 | Tube | 1 | | |
| 3 | 5902449.001 | Screw DIN7984-M4x40 | 10 | | |
| 4 | 5907339.001 | Filter Regulator | 1 | | |
| 5 | 5907340.001 | Manometer | 1 | | |
| 6 | 5907338.001 | Block Valve | 1 | | |
| 7 | 5907337.001 | Coupling Plug | 1 | | |
| 8 | 5979024.001 | Service Unit | 1 | | |
| 9 | 5905285.001 | Push-in L-Connector | 1 | | |
| 10 | 5949046.001 | Key | 1 | | |
| 11 | 5949144.001 | Center Pin | 1 | | |
| 12 | 5902484.001 | Bolt with Nut M3 | 10 | | |

| No. | Part No. | Description | PU | Serial No. | |
|-----|-------------|---------------------------|----|------------|----|
| | | | | from | to |
| 13 | 5949406.001 | Frame | 1 | | |
| 14 | 5905667.001 | Push-in/threaded Fitting | 1 | | |
| 15 | 5949412.001 | Tube | 1 | | |
| 16 | 5949058.001 | Distance Bolt M3x7.5 | 1 | | |
| 17 | 5949417.001 | PCB Applicator Connectors | 1 | | |
| 18 | 5902168.001 | Screw DIN912-M3x5 | 10 | | |
| 19 | 5955572.001 | PCB Applicator Control | 1 | | |
| 20 | 5955573.001 | EEPROM | 1 | | |
| 21 | 5949097.001 | Knurled Screw | 1 | | |
| 22 | 5902358.001 | Screw DIN7984-M4x6 | 10 | | |
| 23 | 5949408.001 | Cover | 1 | | |

30, 31 : If it is necessary to replace a Controller or a PCB Applicator Control at devices **with serial number up to 3475** , order and replace both Controller (30) and PCB Applicator Control (31).



Continuation on page 4



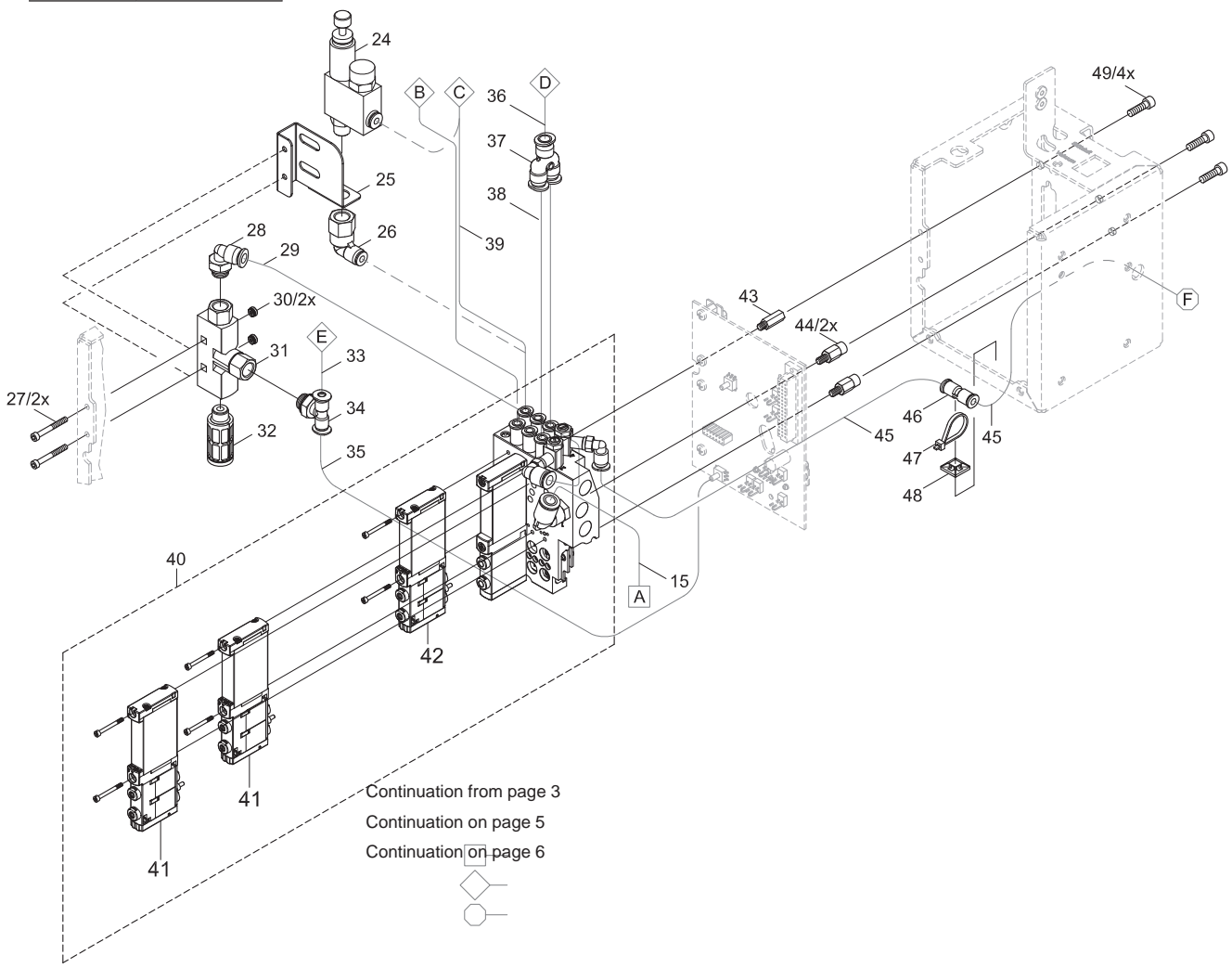
| No. | Part No. | Description | PU | Serial No. | |
|------|-------------|-----------------------|----|------------|----|
| | | | | from | to |
| 15 | 5949412.001 | Tube | 1 | | |
| 24 | 5906967.001 | Pressure Reduce Valve | 1 | | |
| 25 | 5949662.001 | Holder | 1 | | |
| 26 | 5906966.001 | Push-in L-Connector | 1 | | |
| 27 | 5902860.001 | Screw DIN7984-M3x20 | 10 | | |
| 28 | 5906914.001 | Push-in L-Connector | 1 | | |
| 29 | 5949413.001 | Tube | 1 | | |
| 30 | 5902602.001 | Press Nut M3 | 10 | | |
| 31 | 5906844.001 | Vacuum Generator | 1 | | |
| 32 | 5905257.001 | Silencer | 1 | | |
| 33.1 | 5949445.001 | Tube | 1 | | |
| 33.2 | 5949429.001 | Tube | 1 | | |
| 33.3 | 5949431.001 | Tube | 1 | | |
| 33.4 | 5949447.001 | Tube | 1 | | |
| 34 | 5906915.001 | Push-in T-Connector | 1 | | |
| 35 | 5949420.001 | Tube | 1 | | |
| 36.1 | 5949202.001 | Tube | 1 | | |
| 36.2 | 5949176.001 | Tube | 1 | | |
| 36.3 | 5949117.001 | Tube | 1 | | |
| 36.4 | 5949242.001 | Tube | 1 | | |

| No. | Part No. | Description | PU | Serial No. | |
|------|-------------|--------------------------|----|------------|----|
| | | | | from | to |
| 37 | 5905972.001 | Push-in Y-Fitting | 1 | | |
| 38 | 5949053.001 | Tube | 1 | | |
| 39.1 | 5949444.001 | Tube | 1 | | |
| 39.2 | 5949428.001 | Tube | 1 | | |
| 39.3 | 5949430.001 | Tube | 1 | | |
| 39.4 | 5949446.001 | Tube | 1 | | |
| 40 | 5907276.001 | Valve Block | 1 | | |
| 41 | 5907428.001 | Valve | 1 | | |
| 42 | 5907429.001 | valve | 1 | | |
| 43 | 5949469.001 | Distance Bolt | 1 | | |
| 44 | 5949415.001 | Distance Bolt M4x14 | 1 | | |
| 45 | 5949421.001 | Tube | 1 | | |
| 46 | 5905603.001 | Push-in/threaded Fitting | 1 | | |
| 47 | 5901505.001 | Cable Clamp L=102 | 10 | | |
| 48 | 5905124.001 | Adhesive Plate 12.7x12.7 | 10 | | |
| 49 | 5902241.001 | Screw DIN7984-M4x10 | 10 | | |

41, 42 : If it is necessary to replace a valve at devices with serial number **up to 6274** , change the complete valve block (40).

| | |
|-----------|------------------|
| A1000-150 | 33.1, 36.1, 39.1 |
| A1000-220 | 33.2, 36.2, 39.2 |
| A1000-300 | 33.3, 36.3, 39.3 |
| A1000-400 | 33.4, 36.4, 39.4 |

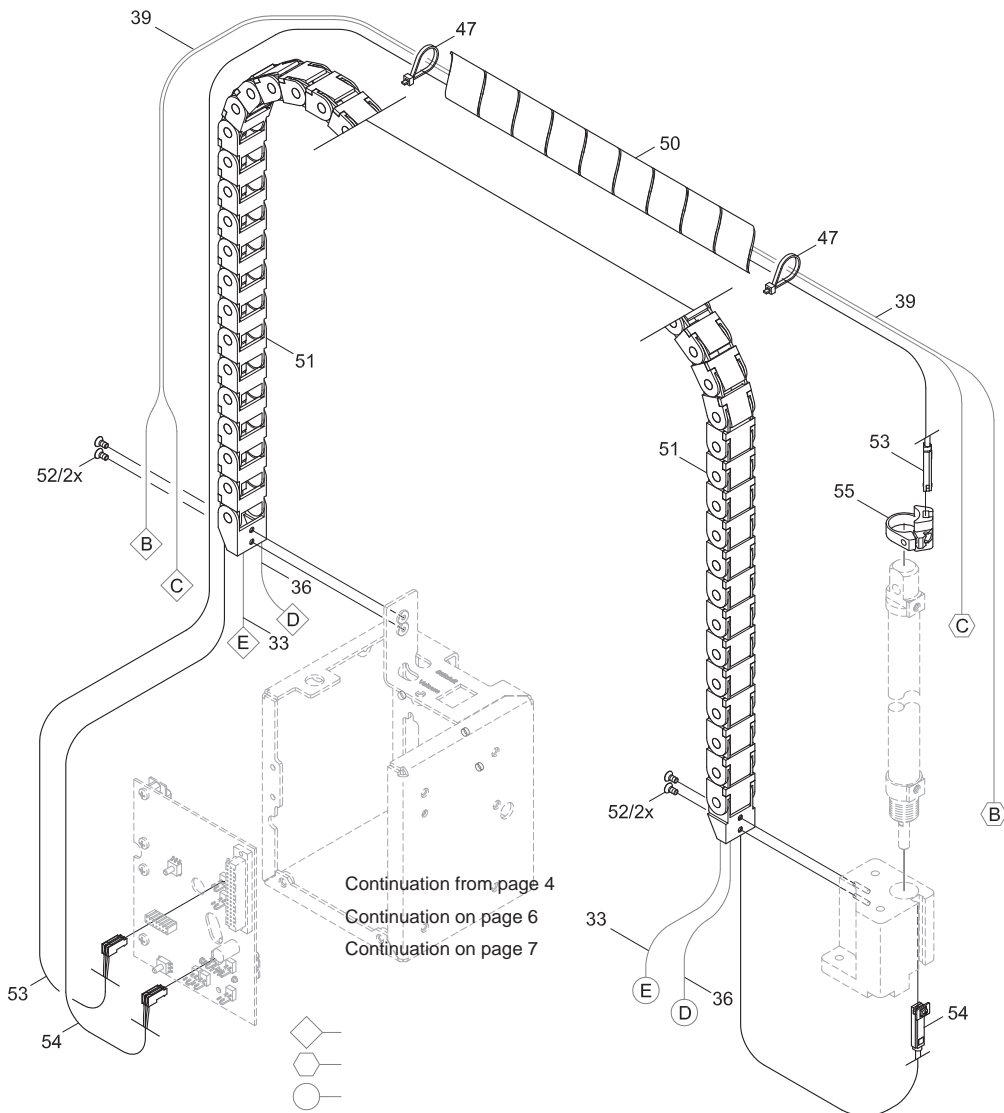
| | |
|--------|------------|
| Option | 24, 25, 26 |
|--------|------------|



| No. | Part No. | Description | PU | Serial No. | |
|------|-------------|-------------------|----|------------|----|
| | | | | from | to |
| 33.1 | 5949445.001 | Tube | 1 | | |
| 33.2 | 5949429.001 | Tube | 1 | | |
| 33.3 | 5949431.001 | Tube | 1 | | |
| 33.4 | 5949447.001 | Tube | 1 | | |
| 36.1 | 5949202.001 | Tube | 1 | | |
| 36.2 | 5949176.001 | Tube | 1 | | |
| 36.3 | 5949117.001 | Tube | 1 | | |
| 36.4 | 5949242.001 | Tube | 1 | | |
| 39.1 | 5949444.001 | Tube | 1 | | |
| 39.2 | 5949428.001 | Tube | 1 | | |
| 39.3 | 5949430.001 | Tube | 1 | | |
| 39.4 | 5949446.001 | Tube | 1 | | |
| 47 | 5901505.001 | Cable Clamp L=102 | 10 | | |

| No. | Part No. | Description | PU | Serial No. | |
|------|-------------|--------------------|----|------------|----|
| | | | | from | to |
| 51.1 | 5949199.001 | Energy Track | 1 | | |
| 51.2 | 5949173.001 | Energy Track | 1 | | |
| 51.3 | 5949033.001 | Energy Track | 1 | | |
| 51.4 | 5949239.001 | Energy Track | 1 | | |
| 52 | 5902021.001 | Screw DIN7991-M3x6 | 10 | | |
| 53.1 | 5949198.001 | Sensor | 1 | | |
| 53.2 | 5949172.001 | Sensor | 1 | | |
| 53.3 | 5949123.001 | Sensor | 1 | | |
| 53.4 | 5949238.001 | Sensor | 1 | | |
| 54.1 | 5949203.001 | Sensor | 1 | | |
| 54.2 | 5949177.001 | Sensor | 1 | | |
| 54.3 | 5949130.001 | Sensor | 1 | | |
| 54.4 | 5949243.001 | Sensor | 1 | | |
| 55 | 5905593.001 | Mounting Clip | 1 | | |

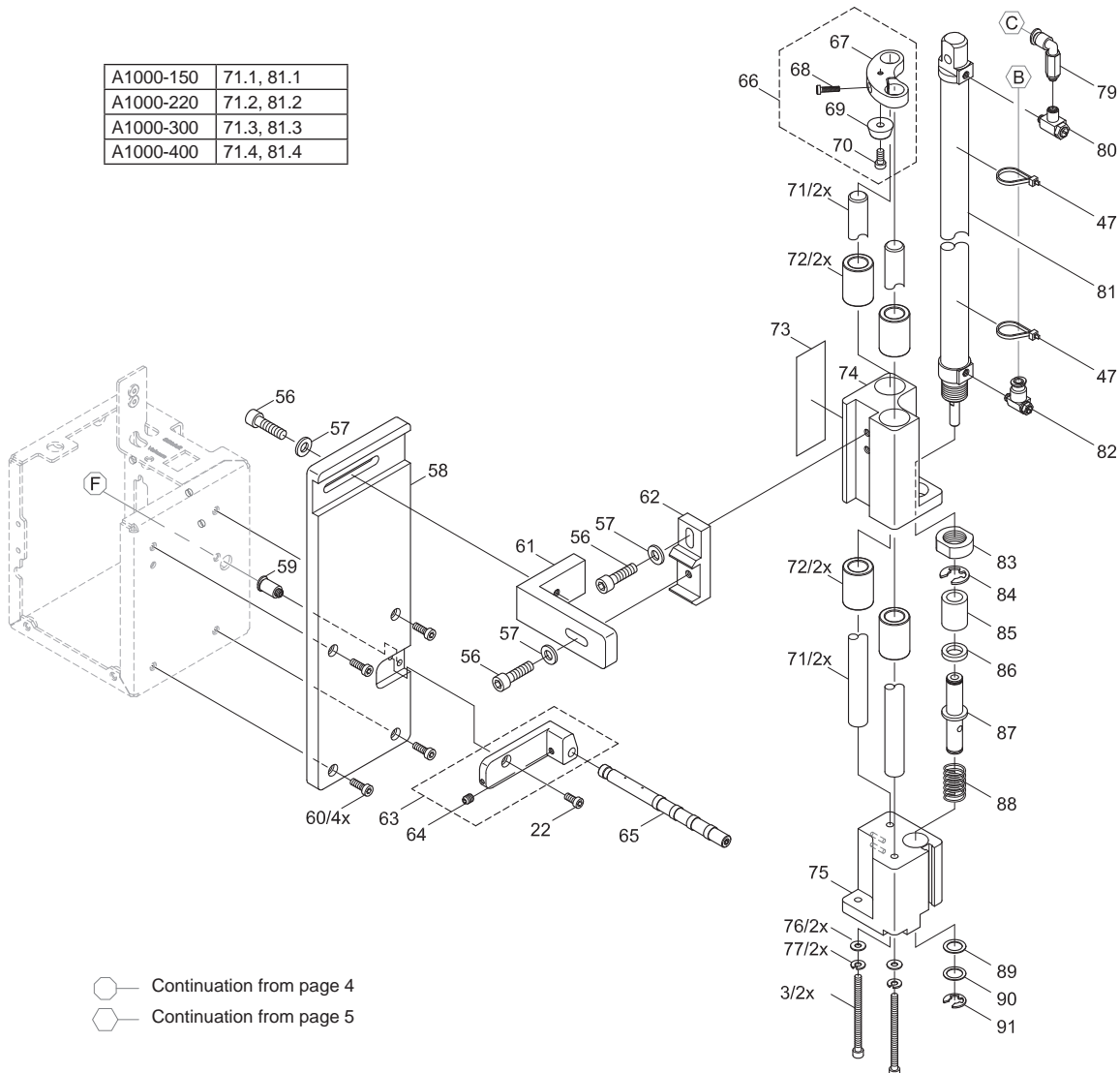
| | |
|-----------|------------------------------------|
| A1000-150 | 33.1, 36.1, 39.1, 51.1, 53.1, 54.1 |
| A1000-220 | 33.2, 36.2, 39.2, 51.2, 53.2, 54.2 |
| A1000-300 | 33.3, 36.3, 39.3, 51.3, 53.3, 54.3 |
| A1000-400 | 33.4, 36.4, 39.4, 51.4, 53.4, 54.4 |



| No. | Part No. | Description | PU | Serial No. | |
|------|-------------|--------------------------|----|------------|----|
| | | | | from | to |
| 3 | 5902449.001 | Screw DIN7984-M4x40 | 10 | | |
| 22 | 5902358.001 | Screw DIN7984-M4x6 | 10 | | |
| 47 | 5901505.001 | Cable Clamp L=102 | 10 | | |
| 56 | 5902262.001 | Screw DIN912-M6x18 | 10 | | |
| 57 | 5903040.001 | Washer DIN125-A6.4 | 10 | | |
| 58 | 5949140.001 | Mounting Plate | 1 | | |
| 59 | 5905283.001 | Push-in/threaded Fitting | 1 | | |
| 60 | 5902459.001 | Screw DIN7984-M4x12 | 10 | | |
| 61 | 5949141.001 | Bracket | 1 | | |
| 62 | 5949062.001 | Adjusting Plate | 1 | | |
| 63 | 5949145.001 | Blow Tube Retainer | 1 | | |
| 64 | 5904518.001 | Set Screw DIN916-M5x5 | 10 | | |
| 65 | 5949101.001 | Blow Tube | 1 | | |
| 66 | 5949089.001 | Stopper | 1 | | |
| 67 | 5949088.001 | Stopper | 1 | | |
| 68 | 5902009.001 | Screw DIN912-M3x12 | 10 | | |
| 69 | 5905780.001 | Foot | 5 | | |
| 70 | 5902397.001 | Screw DIN7984-M4x6 | 10 | | |
| 71.1 | 5949197.001 | Rod | 1 | | |
| 71.2 | 5949171.001 | Rod | 1 | | |
| 71.3 | 5949065.001 | Rod | 1 | | |
| 71.4 | 5949237.001 | Rod | 1 | | |

| No. | Part No. | Description | PU | Serial No. | |
|------|-------------|----------------------------|----|------------|----|
| | | | | from | to |
| 72 | 5905599.001 | Ball Bearing | 1 | | |
| 73 | 5949079.001 | Sliding Foil | 1 | | |
| 74 | 5949061.001 | Guide | 1 | | |
| 75 | 5949064.001 | Tamp Retainer | 1 | | |
| 76 | 5903003.001 | Washer DIN125-A4.3 | 10 | | |
| 77 | 5903029.001 | Lock Washer DIN127-B4 | 10 | | |
| 79 | 5905252.001 | Push-in L-Connector | 1 | | |
| 80 | 5905249.001 | One-way Flow Control Valve | 1 | | |
| 81.1 | 5905873.001 | Cylinder | 1 | | |
| 81.2 | 5905974.001 | Cylinder | 1 | | |
| 81.3 | 5905973.001 | Cylinder | 1 | | |
| 81.4 | 5906117.001 | Cylinder | 1 | | |
| 82 | 5906636.001 | One-way Flow Control Valve | 1 | | |
| 83 | 5521159.001 | Nut | 1 | | |
| 84 | 5903510.001 | E-Ring DIN6799-9 | 10 | | |
| 85 | 5949113.001 | Bushing | 1 | | |
| 86 | 5905602.001 | Ring Magnet | 1 | | |
| 87 | 5949112.001 | Adapter Bolt | 1 | | |
| 88 | 5905069.001 | Spring | 1 | | |
| 89 | 5521158.001 | Washer | 1 | | |
| 90 | 5521157.001 | Washer | 1 | | |
| 91 | 5903501.001 | E-Ring DIN6799-7 | 10 | | |

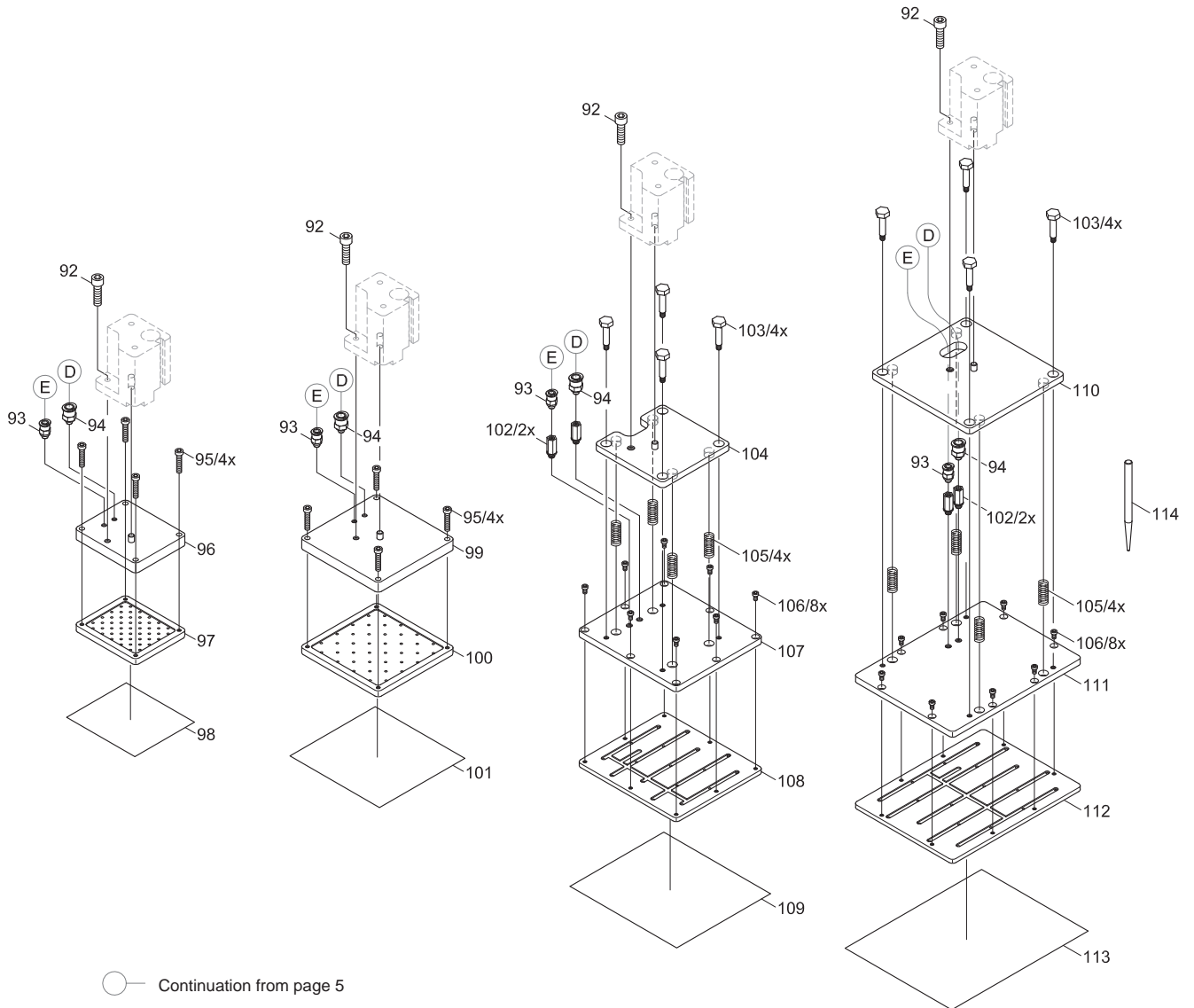
| | |
|-----------|------------|
| A1000-150 | 71.1, 81.1 |
| A1000-220 | 71.2, 81.2 |
| A1000-300 | 71.3, 81.3 |
| A1000-400 | 71.4, 81.4 |



○ Continuation from page 4
 ○ Continuation from page 5

| No. | Part No. | Description | PU | Serial No. | |
|-----|-------------|--------------------------|----|------------|----|
| | | | | from | to |
| 92 | 5902169.001 | Screw DIN912-M6x14 | 10 | | |
| 93 | 5905251.001 | Push-in/threaded Fitting | 1 | | |
| 94 | 5905640.001 | Push-in/threaded Fitting | 1 | | |
| 95 | 5902562.001 | Screw DIN7984-M4x14 | 10 | | |
| 96 | 5949073.001 | Cover Plate | 1 | | |
| 97 | 5949071.001 | Suction Plate | 1 | | |
| 98 | 5949074.001 | Sliding Foil | 1 | | |
| 99 | 5949133.001 | Cover Plate | 1 | | |
| 100 | 5949134.001 | Suction Plate | 1 | | |
| 101 | 5949135.001 | Sliding Foil | 1 | | |
| 102 | 5905518.001 | Pipe Coupling | 1 | | |
| 103 | 5941017.001 | Bolt | 1 | | |

| No. | Part No. | Description | PU | Serial No. | |
|-----|-------------|--------------------|----|------------|----|
| | | | | from | to |
| 104 | 5950658.001 | Mounting Plate | 1 | | |
| 105 | 5906100.001 | Spring | 10 | | |
| 106 | 5902144.001 | Screw DIN7984-M3x5 | 10 | | |
| 107 | 5950659.001 | Cover Plate | 1 | | |
| 108 | 5950660.001 | Suction Plate | 1 | | |
| 109 | 5950661.001 | Sliding Foil | 1 | | |
| 110 | 5950652.001 | Mounting Plate | 1 | | |
| 111 | 5950653.001 | Cover Plate | 1 | | |
| 112 | 5950654.001 | Suction Plate | 1 | | |
| 113 | 5950655.001 | Sliding Foil | 1 | | |
| 114 | 5949098.001 | Piercing Pin | 1 | | |



| Pos. | Figure/Page | | | | No. | Part No. | Description | PU | SPR | | | Serial No. | |
|------|-------------|---|---|---|------|-------------|----------------------------|----|------|----|---|------------|--|
| | | | | | | | | | from | to | | | |
| 1 | | | 6 | | 90 | 5521157.001 | Washer | 1 | | | | | |
| 2 | | | 6 | | 89 | 5521158.001 | Washer | 1 | | | | | |
| 3 | | | 6 | | 83 | 5521159.001 | Nut | 1 | | | | | |
| 4 | 4 | 5 | 6 | | 47 | 5901505.001 | Cable Clamp L=102 | 10 | | | | | |
| 5 | | | 6 | | 68 | 5902009.001 | Screw DIN912-M3x12 | 10 | | | | | |
| 6 | | 5 | | | 52 | 5902021.001 | Screw DIN7991-M3x6 | 10 | | | | | |
| 7 | | | | 7 | 106 | 5902144.001 | Screw DIN7984-M3x5 | 10 | | | | | |
| 8 | 3 | | | | 18 | 5902168.001 | Screw DIN912-M3x5 | 10 | | | | | |
| 9 | | | | 7 | 92 | 5902169.001 | Screw DIN912-M6x14 | 10 | | | | | |
| 10 | 4 | | | | 49 | 5902241.001 | Screw DIN7984-M4x10 | 10 | | | | | |
| 11 | | | 6 | | 56 | 5902262.001 | Screw DIN912-M6x18 | 10 | | | | | |
| 12 | 3 | | 6 | | 22 | 5902358.001 | Screw DIN7984-M4x6 | 10 | | | | | |
| 13 | | | 6 | | 70 | 5902397.001 | Screw DIN7984-M4x6 | 10 | | | | | |
| 14 | 3 | | 6 | | 3 | 5902449.001 | Screw DIN7984-M4x40 | 10 | | | | | |
| 15 | | | 6 | | 60 | 5902459.001 | Screw DIN7984-M4x12 | 10 | | | | | |
| 16 | 3 | | | | 12 | 5902484.001 | Bolt with Nut M3 | 10 | | | | | |
| 17 | | | | 7 | 95 | 5902562.001 | Screw DIN7984-M4x14 | 10 | | | | | |
| 18 | 4 | | | | 30 | 5902602.001 | Press Nut M3 | 10 | | | | | |
| 19 | 4 | | | | 27 | 5902860.001 | Screw DIN7984-M3x20 | 10 | | | | | |
| 20 | | | 6 | | 76 | 5903003.001 | Washer DIN125-A4.3 | 10 | | | | | |
| 21 | | | 6 | | 77 | 5903029.001 | Lock Washer DIN127-B4 | 10 | | | | | |
| 22 | | | 6 | | 57 | 5903040.001 | Washer DIN125-A6.4 | 10 | | | | | |
| 23 | | | 6 | | 91 | 5903501.001 | E-Ring DIN6799-7 | 10 | | | | | |
| 24 | | | 6 | | 84 | 5903510.001 | E-Ring DIN6799-9 | 10 | | | | | |
| 25 | | | 6 | | 64 | 5904518.001 | Set Screw DIN916-M5x5 | 10 | | | | | |
| 26 | | | 6 | | 88 | 5905069.001 | Spring | 1 | | | | | |
| 27 | 4 | | | | 48 | 5905124.001 | Adhesive Plate 12.7x12.7 | 10 | | | | | |
| 28 | | | 6 | | 80 | 5905249.001 | One-way Flow Control Valve | 1 | | C | D | | |
| 29 | | | | 7 | 93 | 5905251.001 | Push-in/threaded Fitting | 1 | | | | | |
| 30 | | | 6 | | 79 | 5905252.001 | Push-in L-Connector | 1 | | | | | |
| 31 | 4 | | | | 32 | 5905257.001 | Silencer | 1 | | C | D | | |
| 32 | | | 6 | | 59 | 5905283.001 | Push-in/threaded Fitting | 1 | | | | | |
| 33 | 3 | | | | 9 | 5905285.001 | Push-in L-Connector | 1 | | | | | |
| 34 | | | | 7 | 102 | 5905518.001 | Pipe Coupling | 1 | | | | | |
| 35 | | 5 | | | 55 | 5905593.001 | Mounting Clip | 1 | | | | | |
| 36 | | | 6 | | 72 | 5905599.001 | Ball Bearing | 1 | | | | | |
| 37 | | | 6 | | 86 | 5905602.001 | Ring Magnet | 1 | | | | | |
| 38 | 4 | | | | 46 | 5905603.001 | Push-in/threaded Fitting | 1 | | | | | |
| 39 | | | | 7 | 94 | 5905640.001 | Push-in/threaded Fitting | 1 | | | | | |
| 40 | 3 | | | | 14 | 5905667.001 | Push-in/threaded Fitting | 1 | | | | | |
| 41 | | | 6 | | 69 | 5905780.001 | Foot | 5 | | | | | |
| 42 | | | 6 | | 81.1 | 5905873.001 | Cylinder | 1 | | | D | | |
| 43 | 4 | | | | 37 | 5905972.001 | Push-in Y-Fitting | 1 | | | | | |
| 44 | | | 6 | | 81.3 | 5905973.001 | Cylinder | 1 | | | D | | |
| 45 | | | 6 | | 81.2 | 5905974.001 | Cylinder | 1 | | | D | | |
| 46 | | | | 7 | 105 | 5906100.001 | Spring | 10 | | | | | |
| 47 | | | 6 | | 81.4 | 5906117.001 | Cylinder | 1 | | | | | |
| 48 | | | 6 | | 82 | 5906636.001 | One-way Flow Control Valve | 1 | | C | D | | |
| 49 | 4 | | | | 31 | 5906844.001 | Vacuum Generator | 1 | | C | D | | |
| 50 | 3 | | | | 1 | 5906913.001 | Push-in L-Connector | 1 | | | | | |
| 51 | 4 | | | | 28 | 5906914.001 | Push-in L-Connector | 1 | | | | | |
| 52 | 4 | | | | 34 | 5906915.001 | Push-in T-Connector | 1 | | | | | |
| 53 | 4 | | | | 26 | 5906966.001 | Push-in L-Connector | 1 | | | | | |
| 54 | 4 | | | | 24 | 5906967.001 | Pressure Reduce Valve | 1 | | | | | |
| 55 | 4 | | | | 40 | 5907276.001 | Valve Block | 1 | | | | | |
| 56 | 3 | | | | 7 | 5907337.001 | Coupling Plug | 1 | | | | | |
| 57 | 3 | | | | 6 | 5907338.001 | Block Valve | 1 | | | | | |
| 58 | 3 | | | | 4 | 5907339.001 | Filter Regulator | 1 | | | | | |

PU Package unit

SPR Recommendation

A - wearing parts and accessories

B - recommended spare parts for quick repair

C - recommended spare parts for distributors

D - recommended spare parts for central stores

6 Spare Parts Register

| Pos. | Figure/Page | | | | No. | Part No. | Description | PU | SPR | | | | Serial No. | |
|------|-------------|---|---|---|------|-------------|---------------------------|----|------|----|---|---|------------|--|
| | | | | | | | | | from | to | | | | |
| 59 | 3 | | | | 5 | 5907340.001 | Manometer | 1 | | | | | | |
| 60 | | 4 | | | 41 | 5907428.001 | Valve | 1 | | | | | | |
| 61 | | 4 | | | 42 | 5907429.001 | valve | 1 | | | | | | |
| 62 | | | | 7 | 103 | 5941017.001 | Bolt | 1 | | | | | | |
| 63 | | | 5 | | 51.3 | 5949033.001 | Energy Track | 1 | | | | | | |
| 64 | 3 | | | | 10 | 5949046.001 | Key | 1 | | | | | | |
| 65 | | 4 | | | 38 | 5949053.001 | Tube | 1 | | | | | | |
| 66 | 3 | | | | 16 | 5949058.001 | Distance Bolt M3x7.5 | 1 | | | | | | |
| 67 | | | | 6 | 74 | 5949061.001 | Guide | 1 | | | | | | |
| 68 | | | | 6 | 62 | 5949062.001 | Adjusting Plate | 1 | | | | | | |
| 69 | | | | 6 | 75 | 5949064.001 | Tamp Retainer | 1 | | | | | | |
| 70 | | | | 6 | 71.3 | 5949065.001 | Rod | 1 | | | | | | |
| 71 | | | | 7 | 97 | 5949071.001 | Suction Plate | 1 | | | | | | |
| 72 | | | | 7 | 96 | 5949073.001 | Cover Plate | 1 | | | | | | |
| 73 | | | | 7 | 98 | 5949074.001 | Sliding Foil | 1 | | B | C | D | | |
| 74 | | | | 6 | 73 | 5949079.001 | Sliding Foil | 1 | | B | C | D | | |
| 75 | | | | 6 | 67 | 5949088.001 | Stopper | 1 | | | | | | |
| 76 | | | | 6 | 66 | 5949089.001 | Stopper | 1 | | | | | | |
| 77 | 3 | | | | 21 | 5949097.001 | Knurled Screw | 1 | | | | | | |
| 78 | | | | 7 | 114 | 5949098.001 | Piercing Pin | 1 | | | | | | |
| 79 | | | | 6 | 65 | 5949101.001 | Blow Tube | 1 | | | | | | |
| 80 | | | | 6 | 87 | 5949112.001 | Adapter Bolt | 1 | | | | | | |
| 81 | | | | 6 | 85 | 5949113.001 | Bushing | 1 | | | | | | |
| 82 | | 4 | 5 | | 36.3 | 5949117.001 | Tube | 1 | | | | | | |
| 83 | | | 5 | | 53.3 | 5949123.001 | Sensor | 1 | | | C | D | | |
| 84 | | | 5 | | 54.3 | 5949130.001 | Sensor | 1 | | | C | D | | |
| 85 | | | | 7 | 99 | 5949133.001 | Cover Plate | 1 | | | | | | |
| 86 | | | | 7 | 100 | 5949134.001 | Suction Plate | 1 | | | | | | |
| 87 | | | | 7 | 101 | 5949135.001 | Sliding Foil | 1 | | B | C | D | | |
| 88 | | | | 6 | 58 | 5949140.001 | Mounting Plate | 1 | | | | | | |
| 89 | | | | 6 | 61 | 5949141.001 | Bracket | 1 | | | | | | |
| 90 | 3 | | | | 11 | 5949144.001 | Center Pin | 1 | | | | | | |
| 91 | | | | 6 | 63 | 5949145.001 | Blow Tube Retainer | 1 | | | | | | |
| 92 | | | | 6 | 71.2 | 5949171.001 | Rod | 1 | | | | | | |
| 93 | | | 5 | | 53.2 | 5949172.001 | Sensor | 1 | | | C | D | | |
| 94 | | | 5 | | 51.2 | 5949173.001 | Energy Track | 1 | | | | | | |
| 95 | | 4 | 5 | | 36.2 | 5949176.001 | Tube | 1 | | | | | | |
| 96 | | | 5 | | 54.2 | 5949177.001 | Sensor | 1 | | | C | D | | |
| 97 | | | | 6 | 71.1 | 5949197.001 | Rod | 1 | | | | | | |
| 98 | | | 5 | | 53.1 | 5949198.001 | Sensor | 1 | | | C | D | | |
| 99 | | | 5 | | 51.1 | 5949199.001 | Energy Track | 1 | | | | | | |
| 100 | | 4 | 5 | | 36.1 | 5949202.001 | Tube | 1 | | | | | | |
| 101 | | | 5 | | 54.1 | 5949203.001 | Sensor | 1 | | | C | D | | |
| 102 | | | | 6 | 71.4 | 5949237.001 | Rod | 1 | | | | | | |
| 103 | | | 5 | | 53.4 | 5949238.001 | Sensor | 1 | | | C | D | | |
| 104 | | | 5 | | 51.4 | 5949239.001 | Energy Track | 1 | | | | | | |
| 105 | | 4 | 5 | | 36.4 | 5949242.001 | Tube | 1 | | | | | | |
| 106 | | | 5 | | 54.4 | 5949243.001 | Sensor | 1 | | | C | D | | |
| 107 | 3 | | | | 13 | 5949406.001 | Frame | 1 | | | | | | |
| 108 | 3 | | | | 23 | 5949408.001 | Cover | 1 | | | | | | |
| 109 | 3 | | | | 2 | 5949411.001 | Tube | 1 | | | | | | |
| 110 | 3 | 4 | | | 15 | 5949412.001 | Tube | 1 | | | | | | |
| 111 | | 4 | | | 29 | 5949413.001 | Tube | 1 | | | | | | |
| 112 | | 4 | | | 44 | 5949415.001 | Distance Bolt M4x14 | 1 | | | | | | |
| 113 | 3 | | | | 17 | 5949417.001 | PCB Applicator Connectors | 1 | | | | D | | |
| 114 | | 4 | | | 35 | 5949420.001 | Tube | 1 | | | | | | |
| 115 | | 4 | | | 45 | 5949421.001 | Tube | 1 | | | | | | |
| 116 | | 4 | 5 | | 39.2 | 5949428.001 | Tube | 1 | | | | | | |

PU Package unit

SPR Recommendation

A - wearing parts and accessories

B - recommended spare parts for quick repair

C - recommended spare parts for distributors

D - recommended spare parts for central stores

| Pos. | Figure/Page | | | | No. | Part No. | Description | PU | SPR | | | | Serial No. | |
|------|-------------|---|---|---|------|-------------|------------------------|----|-----|---|---|---|------------|----|
| | | | | | | | | | | | | | from | to |
| 117 | | 4 | 5 | | 33.2 | 5949429.001 | Tube | 1 | | | | | | |
| 118 | | 4 | 5 | | 39.3 | 5949430.001 | Tube | 1 | | | | | | |
| 119 | | 4 | 5 | | 33.3 | 5949431.001 | Tube | 1 | | | | | | |
| 120 | | 4 | 5 | | 39.1 | 5949444.001 | Tube | 1 | | | | | | |
| 121 | | 4 | 5 | | 33.1 | 5949445.001 | Tube | 1 | | | | | | |
| 122 | | 4 | 5 | | 39.4 | 5949446.001 | Tube | 1 | | | | | | |
| 123 | | 4 | 5 | | 33.4 | 5949447.001 | Tube | 1 | | | | | | |
| 124 | | 4 | | | 43 | 5949469.001 | Distance Bolt | 1 | | | | | | |
| 125 | | 4 | | | 25 | 5949662.001 | Holder | 1 | | | | | | |
| 126 | | | | 7 | 110 | 5950652.001 | Mounting Plate | 1 | | | | | | |
| 127 | | | | 7 | 111 | 5950653.001 | Cover Plate | 1 | | | | | | |
| 128 | | | | 7 | 112 | 5950654.001 | Suction Plate | 1 | | | | | | |
| 129 | | | | 7 | 113 | 5950655.001 | Sliding Foil | 1 | | B | C | D | | |
| 130 | | | | 7 | 104 | 5950658.001 | Mounting Plate | 1 | | | | | | |
| 131 | | | | 7 | 107 | 5950659.001 | Cover Plate | 1 | | | | | | |
| 132 | | | | 7 | 108 | 5950660.001 | Suction Plate | 1 | | | | | | |
| 133 | | | | 7 | 109 | 5950661.001 | Sliding Foil | 1 | | B | C | D | | |
| 134 | 3 | | | | 19 | 5955572.001 | PCB Applicator Control | 1 | | B | C | D | | |
| 135 | 3 | | | | 20 | 5955573.001 | EEPROM | 1 | | | | | | |
| 136 | 3 | | | | 8 | 5979024.001 | Service Unit | 1 | | | | | | |

7 Packaging/Accessories

| Pos. | Figure/Page | | | | No. | Part No. | Description | PU | SPR | | | | Serial No. | |
|------|-------------|--|--|--|-----|-------------|-------------|----|-----|--|--|---|------------|----|
| | | | | | | | | | | | | | from | to |
| 137 | | | | | | 9109176.001 | Packaging | 1 | | | | D | | |

PU Package unit
 SPR Recommendation
 A - wearing parts and accessories
 B - recommended spare parts for quick repair

C - recommended spare parts for distributors
 D - recommended spare parts for central stores