

Applicator 1000

Spare Parts List for the following products

Part No.	Description	Type
5964139	Applicator	1000L-220H
5964075	Applicator	1000L-300H
5964140	Applicator	1000L-400H

Table of Contents

1	Mounting plate.....	3
2	Pneumatics and Electronics - Mounting plate	4
3	Pneumatic lines and sensors	5
4	Cylinder assembly.....	6
5	Spare parts index.....	7
6	Packaging/Accessories	8
7	Technical documents.....	8

Edition: 5/2010 - Part No. 9008988

Copyright

This documentation as well as translation hereof are property of cab Produkttechnik GmbH & Co. KG. The replication, conversion, duplication or divulgement of the whole manual or parts of it for other intentions than its original intended purpose - in particular the procurement of spare parts for products sold by cab – demand the previous written authorisation by cab.

Editor

Regarding questions or comments please contact cab Produkttechnik GmbH & Co. KG.

Topicality

Due to the constant further development of our products discrepancies between documentation and product can occur. Please check www.cab.de for the latest update.

Terms and conditions

Deliveries and performances are effected under the “General conditions of sale of cab”

Germany

cab Produkttechnik
GmbH & Co KG
Postfach 1904
D-76007 Karlsruhe
Wilhelm-Schickard-Str. 14
D-76131 Karlsruhe
Telefon +49 721 6626-0
Telefax +49 721 6626-249
www.cab.de
info@cab.de

France

cab technologies s.a.r.l.
F-67350 Niedermodern
Téléphone +33 388 722 501
www.cab.de
info@cab-technologies.fr

España

cab España S.L.
E-08304 Montaró (Barcelona)
Teléfono +34 937 414 605
www.cab.de
info@cabsl.com

USA

cab Technology Inc.
Tyngsboro MA, 01879
Phone +1 978 649 0293
www.cabtechn.com
info@cabtechn.com

South Afrika

cab Technology (Pty.) Ltd.
2125 Randburg
Phone +27 11-886-3580
www.cab.de
info@cabtechn.co.za

Asia 亞洲分公司

希爱比科技股份有限公司
cab Technology Co, Ltd.
台湾台北縣中和市中正路 700 號 9F-8
Junghe 23552, Taipei, Taiwan
電話 Phone +886 2 8227 3966
網址 www.cabasia.net
詢問 cabasia@cab.de

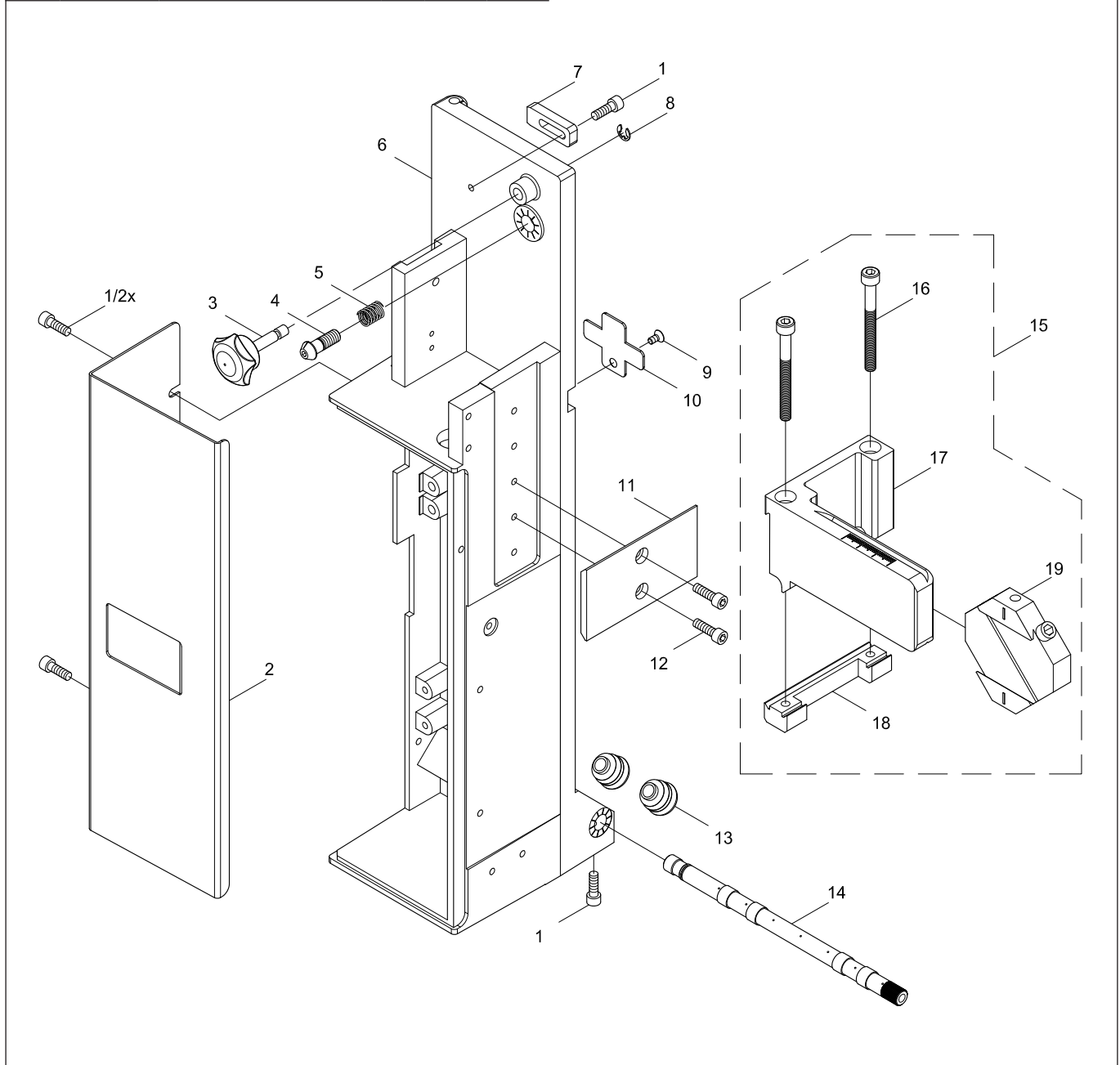
China 中国

锐博(上海)贸易有限公司
cab (Shanghai) Trading Co.,Ltd
上海市延安西路2299号11C60室
电话 Phone +86 21 6236-3161
询问 cabasia@cab.de

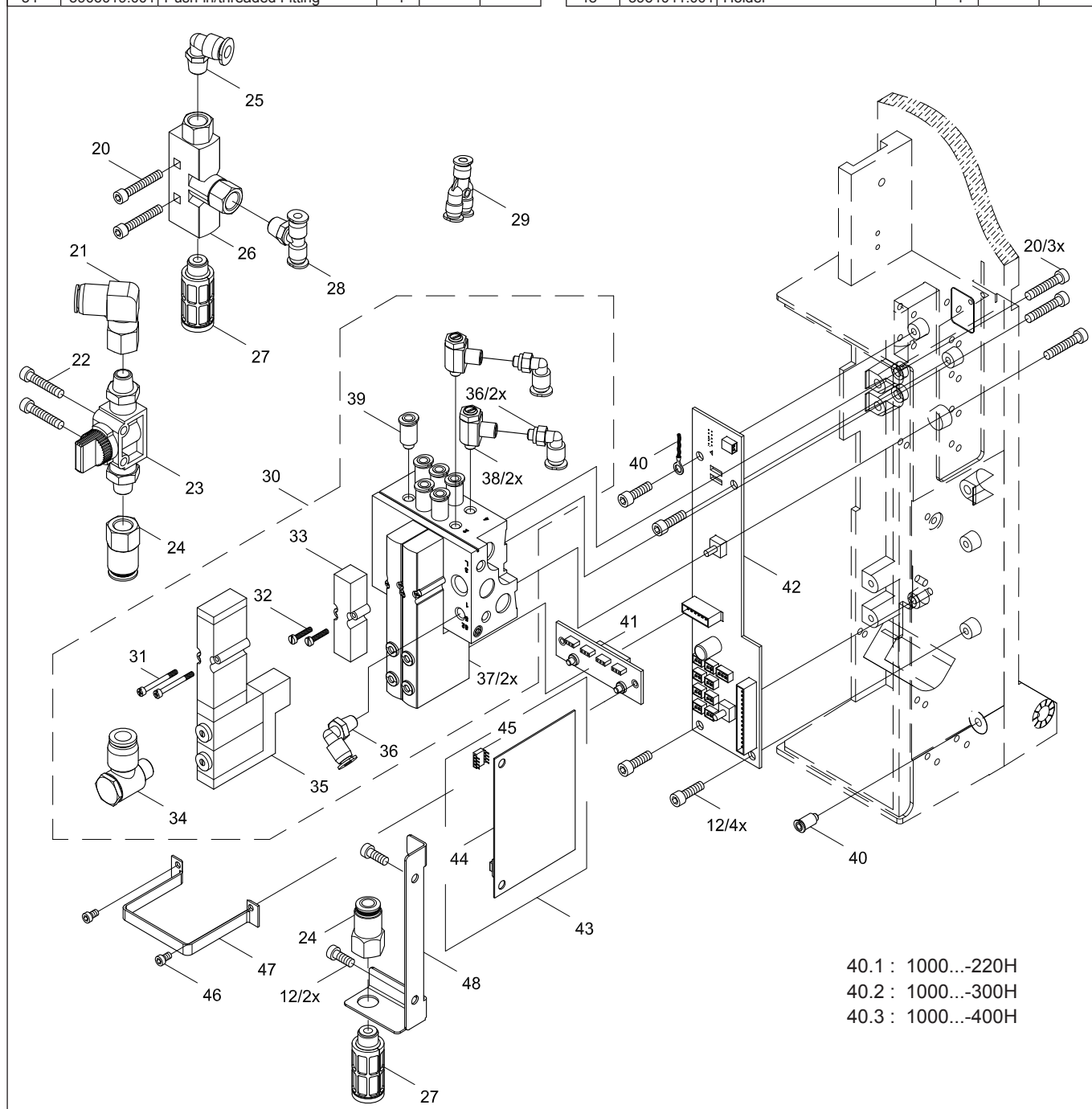
Representatives in other countries on request.

1 Mounting plate

No.	Part-No.	Description	PU	Serial No.	
				from	to
1	5902489.001	Screw DIN7984-M4x8	10		
2	5964129.001	Cover cpl.	1		
3	5950124.001	Thumbscrew	1		
4	5964104.001	Set Screw	1		
5	5904544.001	Spring	1		
6	5964036.001	Base Plate	1		
7	5964090.001	Bar	1		
8	5903525.001	E-Ring DIN6799-4	10		
9	5902021.001	Screw DIN7991-M3x6	10		
10	5964091.001	Plate	1		
11	5964059.001	Adapter Profile	1		
12	5902571.001	Screw DIN7984-M4x6	10		
13	5906145.001	Stopper 15x0.8	1		
14	5964095.001	Blow Tube cpl.	1		
15	5964067.001	Crossbeam cpl.	1		
16	5902167.001	Screw DIN912 M5x50	10		
17	5964065.001	Crossbeam	1		
18	5964060.001	Clamping Element	1		
19	5964062.001	Binder	1		



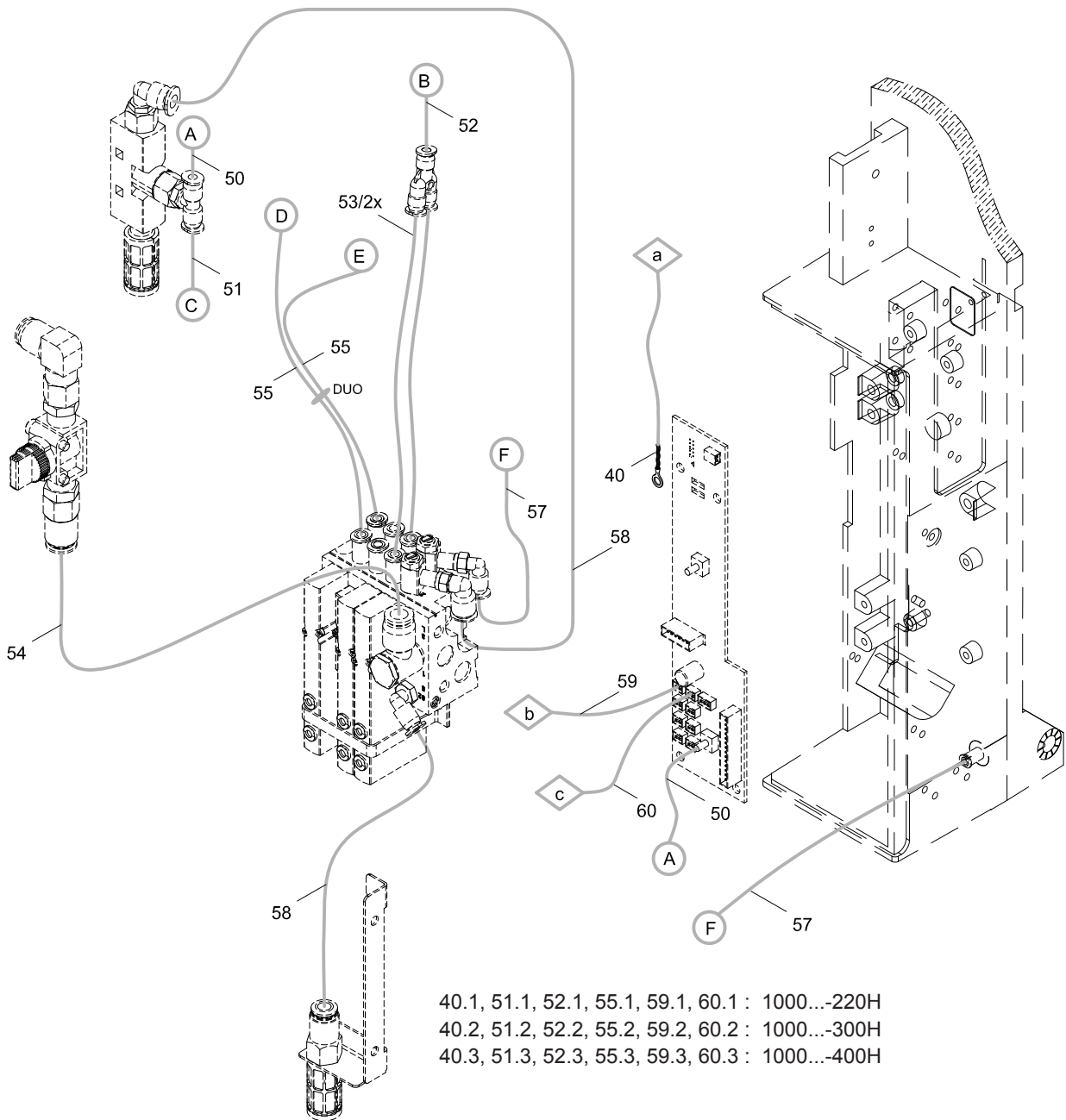
No.	Part-No.	Description	PU	Serial No.		No.	Part-No.	Description	PU	Serial No.	
				from	to					from	to
12	5902571.001	Screw DIN7984-M4x6	10			35	5906021.001	Valve	1		
20	5902862.001	Screw DIN7984 M4x20	10			36	5905255.001	Push-in L-Connector	1		
21	5905285.001	Push-in L-Connector	1			37	5906022.001	Valve	1		
22	5902863.001	Screw DIN7984 M4x25	10			38	5905249.001	One-way Flow Control Valve	1		
23	5905284.001	Block Valve	1			39	5905283.001	Push-in/threaded Fitting	1		
24	5906656.001	Push-in/threaded Fitting	1			40.1	5964135.001	Cable	1		
25	5905317.001	Push-in L-Connector	1			40.2	5964126.001	Cable	1		
26	5906844.001	Vacuum Generator	1			40.3	5964136.001	Cable	1		
27	5905257.001	Silencer	1			41	5955585001	PCB Valve Block assem.	1		
28	5905338.001	Push-in T-Connector	1			42	5955579.001	PCB Applicator Interfaces assem.	1		
29	5905972.001	Tube	1			43	5955577.001	PCB Applicator Control cpl.	1		
30	5906852.001	Valve Block	1			44	5955575.001	PCB Applicator Control ass.	1		
31	5906507.001	Screw M2x20	10			45	5955576.001	Controller progr.	1		
32	5902320.001	Screw DIN84-M2x10	10			46	5902144.001	Screw DIN7984-M3x5	10		
33	5906504.001	Cover Plate	1			47	5964045.001	Bracket	1		
34	5906019.001	Push-in/threaded Fitting	1			48	5964041.001	Holder	1		



3 Pneumatic lines and sensors

No.	Part-No.	Description	PU	Serial No.	
				from	to
40.1	5964135.001	Cable	1		
40.2	5964126.001	Cable	1		
40.3	5964136.001	Cable	1		
50	5906016.001	Tube	1		
51.1	5964172.001	Tube	1		
51.2	5964166.001	Tube	1		
51.3	5964174.001	Tube	1		
52.1	5964171.001	Tube	1		
52.2	5964165.001	Tube	1		
52.3	5964173.001	Tube	1		
53	5964084.001	Tube	1		
54	5964082.001	Tube	1		

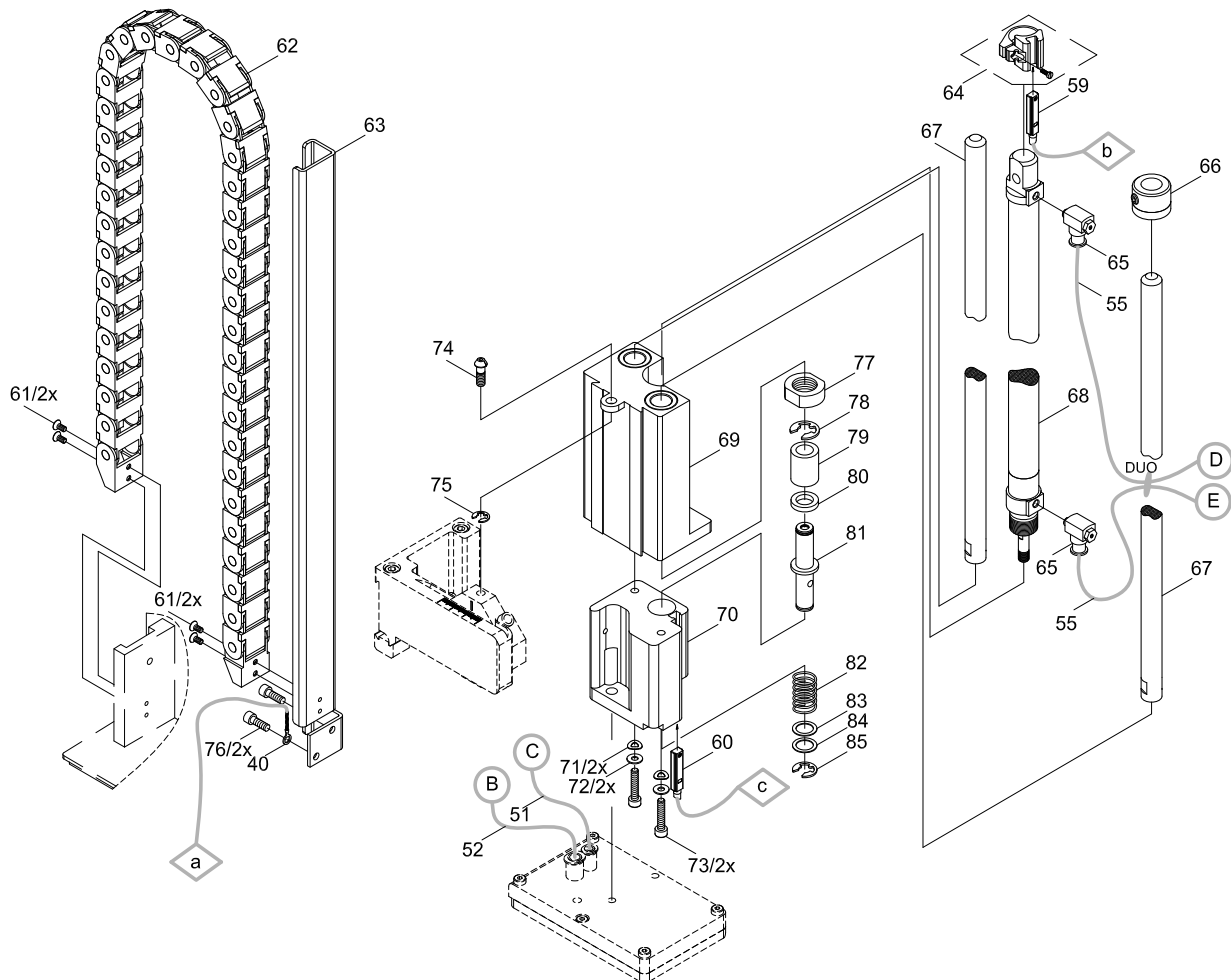
No.	Part-No.	Description	PU	Serial No.	
				from	to
55.1	5964168.001	Tube	1		
55.2	5964169.001	Tube	1		
55.3	5964170.001	Tube	1		
57	5964083.001	Tube	1		
58	5964083.001	Tube	1		
59.1	5964175.001	Sensor	1		
59.2	5964042.001	Sensor	1		
59.3	5964176.001	Sensor	1		
60.1	5964177.001	Sensor	1		
60.2	5964043.001	Sensor	1		
60.3	5964178.001	Sensor	1		



40.1, 51.1, 52.1, 55.1, 59.1, 60.1 : 1000...-220H
 40.2, 51.2, 52.2, 55.2, 59.2, 60.2 : 1000...-300H
 40.3, 51.3, 52.3, 55.3, 59.3, 60.3 : 1000...-400H

No.	Part-No.	Description	PU	Serial No.	
				from	to
40.1	5964135.001	Cable	1		
40.2	5964126.001	Cable	1		
40.3	5964136.001	Cable	1		
51.1	5964172.001	Tube	1		
51.2	5964166.001	Tube	1		
51.3	5964174.001	Tube	1		
52.1	5964171.001	Tube	1		
52.2	5964165.001	Tube	1		
52.3	5964173.001	Tube	1		
55.1	5964168.001	Tube	1		
55.2	5964169.001	Tube	1		
55.3	5964170.001	Tube	1		
59.1	5964175.001	Sensor	1		
59.2	5964042.001	Sensor	1		
59.3	5964176.001	Sensor	1		
60.1	5964177.001	Sensor	1		
60.2	5964043.001	Sensor	1		
60.3	5964178.001	Sensor	1		
61	5902047.001	Screw DIN7991-M3x5	10		
62.1	5964114.001	Energy Track cpl.	1		
62.2	5949225.001	Energy Track cpl.	1		
62.3	5964115.001	Energy Track cpl.	1		
63.1	5964134.001	Brake	1		
63.2	5964085.001	Brake	1		
63.3	5964133.001	Brake	1		
64	5905593.001	Mounting Clip	1		

No.	Part-No.	Description	PU	Serial No.	
				from	to
65	5906636.001	One-way Flow Control Valve	1		
66	5964132.001	Stopper	1		
67.1	5964108.001	Rod	1		
67.2	5964094.001	Rod	1		
67.3	5964107.001	Rod	1		
68.1	5906904.001	Cylinder	1		
68.2	5905973.001	Cylinder	1		
68.3	5905374001	Cylinder	1		
69	5964072.001	Guide cpl.	1		
70	5964074.001	Tamp Retainer	1		
71	5903029.001	Lock Washer DIN127-B4	10		
72	5903003.001	Washer DIN125-A4.3	10		
73	5902449.001	Screw DIN7984-M4x40	10		
74	5964061.001	Setting Screw	1		
75	5903505.001	E-Ring DIN6799-5	10		
76	5902837.001	Screw DIN7984 M4x8	10		
77	5521159.001	Nut	1		
78	5903510.001	E-Ring DIN6799-9	5		
79	5949113.001	Bushing	1		
80	5905602.001	Ring Magnet	1		
81	5949112.001	Adapter Bolt	1		
82	5905069.001	Spring	1		
83	5521158.001	Washer	1		
84	5521157.001	Washer	1		
85	5903501.001	E-Ring DIN6799-7	5		



40.1, 51.1, 52.1, 55.1, 59.1, 60.1, 62.1, 63.1, 67.1, 68.1 : 1000...-220H

40.2, 51.2, 52.2, 55.2, 59.2, 60.2, 62.2, 63.2, 67.2, 68.2 : 1000...-300H

40.3, 51.3, 52.3, 55.3, 59.3, 60.3, 62.3, 63.3, 67.3, 68.3 : 1000...-400H

5 Spare parts index

7

Pos.	Figure/Page			No.	Part No.	Description	PU	SPR				Serial No.	
												from	to
1			6	84	5521157.001	Washer	1						
2			6	83	5521158.001	Washer	1						
3			6	77	5521159.001	Nut	1						
4	3			9	5902021.001	Screw DIN7991-M3x6	10						
5			6	61	5902047.001	Screw DIN7991-M3x5	10						
6		4		46	5902144.001	Screw DIN7984-M3x5	10						
7	3			16	5902167.001	Screw DIN912 M5x50	10						
8		4		32	5902320.001	Screw DIN84-M2x10	10						
9			6	73	5902449.001	Screw DIN7984-M4x40	10						
10	3			1	5902489.001	Screw DIN7984-M4x8	10						
11	3	4		12	5902571.001	Screw DIN7984-M4x6	10						
12			6	76	5902837.001	Screw DIN7984 M4x8	10						
13		4		20	5902862.001	Screw DIN7984 M4x20	10						
14		4		22	5902863.001	Screw DIN7984 M4x25	10						
15			6	72	5903003.001	Washer DIN125-A4.3	10						
16			6	71	5903029.001	Lock Washer DIN127-B4	10						
17			6	85	5903501.001	E-Ring DIN6799-7	5						
18			6	75	5903505.001	E-Ring DIN6799-5	10						
19			6	78	5903510.001	E-Ring DIN6799-9	5						
20	3			8	5903525.001	E-Ring DIN6799-4	10						
21	3			5	5904544.001	Spring	1						
22			6	82	5905069.001	Spring	1						
23		4		38	5905249.001	One-way Flow Control Valve	1						
24		4		36	5905255.001	Push-in L-Connector	1						
25		4		27	5905257.001	Silencer	1						
26		4		39	5905283.001	Push-in/threaded Fitting	1						
27		4		23	5905284.001	Block Valve	1						
28		4		21	5905285.001	Push-in L-Connector	1						
29		4		25	5905317.001	Push-in L-Connector	1						
30		4		28	5905338.001	Push-in T-Connector	1						
31			6	68.3	5905374001	Cylinder	1						
32			6	64	5905593.001	Mounting Clip	1						
33			6	80	5905602.001	Ring Magnet	1						
34		4		29	5905972.001	Tube	1						
35			6	68.2	5905973.001	Cylinder	1						
36			5	50	5906016.001	Tube	1						
37		4		34	5906019.001	Push-in/threaded Fitting	1						
38		4		35	5906021.001	Valve	1						
39		4		37	5906022.001	Valve	1						
40		3		13	5906145.001	Stopper 15x0.8	1						
41		4		33	5906504.001	Cover Plate	1						
42		4		31	5906507.001	Screw M2x20	10						
43			6	65	5906636.001	One-way Flow Control Valve	1						
44		4		24	5906656.001	Push-in/threaded Fitting	1						
45		4		26	5906844.001	Vacuum Generator	1						
46		4		30	5906852.001	Valve Block	1						
47			6	68.1	5906904.001	Cylinder	1						
48			6	81	5949112.001	Adapter Bolt	1						
49			6	79	5949113.001	Bushing	1						
50			6	62.2	5949225.001	Energy Track cpl.	1						
51		3		3	5950124.001	Thumbscrew	1						
52		4		44	5955575.001	PCB Applicator Control ass.	1						
53		4		45	5955576.001	Controller progr.	1						
54		4		43	5955577.001	PCB Applicator Control cpl.	1						
55		4		42	5955579.001	PCB Applicator Interfaces assembl.	1						
56		4		41	5955585001	PCB Valve Block assem.	1						
57		3		6	5964036.001	Base Plate	1						
58		4		48	5964041.001	Holder	1						
59			5	6	5964042.001	Sensor	1						
60			5	6	5964043.001	Sensor	1						
61		4		47	5964045.001	Bracket	1						
62		3		11	5964059.001	Adapter Profile	1						

PU Package unit

SPR Recommendation

A - wearing parts and accessories

B - recommended spare parts for quick repair

C - recommended spare parts for distributors

D - recommended spare parts for central stores

5 Spare parts index

Pos.	Figure/Page			No.	Part No.	Description	PU	SPR			Serial No.	
											from	to
63	3			18	5964060.001	Clamping Element	1					
64			6	74	5964061.001	Setting Screw	1					
65	3			19	5964062.001	Binder	1					
66	3			17	5964065.001	Crossbeam	1					
67	3			15	5964067.001	Crossbeam cpl.	1					
68			6	69	5964072.001	Guide cpl.	1					
69			6	70	5964074.001	Tamp Retainer	1					
70		5	6	56	5964081.001	Tube	1					
71		5		54	5964082.001	Tube	1					
72		5		57	5964083.001	Tube	1					
73		5		58	5964083.001	Tube	1					
74		5		53	5964084.001	Tube	1					
75			6	63.2	5964085.001	Brake	1					
76	3			7	5964090.001	Bar	1					
77	3			10	5964091.001	Plate	1					
78			6	67.2	5964094.001	Rod	1					
79	3			14	5964095.001	Blow Tube cpl.	1					
80	3			4	5964104.001	Set Screw	1					
81			6	67.3	5964107.001	Rod	1					
82			6	67.1	5964108.001	Rod	1					
83			6	62.1	5964114.001	Energy Track cpl.	1					
84			6	62.3	5964115.001	Energy Track cpl.	1					
85		4	5	6	40.2	5964126.001	Cable	1				
86	3			2	5964129.001	Cover cpl.	1					
87			6	66	5964132.001	Stopper	1					
88			6	63.3	5964133.001	Brake	1					
89			6	63.1	5964134.001	Brake	1					
90		4	5	6	40.1	5964135.001	Cable	1				
91		4	5	6	40.3	5964136.001	Cable	1				
92			5	6	52.2	5964165.001	Tube	1				
93			5	6	51.2	5964166.001	Tube	1				
94			5	6	55.1	5964168.001	Tube	1				
95			5	6	55.2	5964169.001	Tube	1				
96			5	6	55.3	5964170.001	Tube	1				
97			5	6	52.1	5964171.001	Tube	1				
98			5	6	51.1	5964172.001	Tube	1				
99			5	6	52.3	5964173.001	Tube	1				
100			5	6	51.3	5964174.001	Tube	1				
101			5	6	59.1	5964175.001	Sensor	1				
102			5	6	59.3	5964176.001	Sensor	1				
103			5	6	60.1	5964177.001	Sensor	1				
104			5	6	60.3	5964178.001	Sensor	1				

6 Packaging/Accessories

Pos.	Figure/Page			No.	Part No.	Description	PU	SPR			Serial No.	
											from	to
105					9109134.001	Packaging	1					

7 Technical documents

Pos.	Figure/Page			No.	Part No.	Description	PU	SPR			Serial No.	
											from	to
106					9008938.001	User Manual Applicator 1000 de/en	1					

PU Package unit

SPR Recommendation

A - wearing parts and accessories

B - recommended spare parts for quick repair

C - recommended spare parts for distributors

D - recommended spare parts for central stores