

Spare Parts List



Stacker with Cutter

ST4

Made in Germany

for the following products

Family	Type
Stacker with Cutter	ST4/L
	ST4/M

Table of Contents

1	Spare Parts - Cutter Unit	3
2	Spare Parts - Stacker Unit ST4/L.....	4
3	Spare Parts - Stacker Unit ST4/M	5
4	Spare Parts Index.....	6
5	Packaging/Accessories.....	7

Edition: 09/2017 - Art.-Nr. 9008909

Copyright

This documentation as well as translation hereof are property of cab Produkttechnik GmbH & Co. KG. The replication, conversion, duplication or divulgement of the whole manual or parts of it for other intentions than its original intended purpose - in particular the procurement of spare parts for products sold by cab – demand the previous written authorisation by cab.

Editor

Regarding questions or comments please contact cab Produkttechnik GmbH & Co. KG.

Topicality

Due to the constant further development of our products discrepancies between documentation and product can occur. Please check www.cab.de for the latest update.

Terms and conditions

Deliveries and performances are effected under the "General conditions of sale of cab"

Germany

cab Produkttechnik
GmbH & Co KG
Postfach 1904
D-76007 Karlsruhe
Wilhelm-Schickard-Str. 14
D-76131 Karlsruhe
Telefon +49 721 6626-0
Telefax +49 721 6626-249
www.cab.de
info@cab.de

France

cab technologies s.a.r.l.
F-67350 Niedermodern
Téléphone +33 388 722 501
www.cab.de/fr
info.fr@cab.de

USA

cab Technology Inc.
Tyngsboro MA, 01879
Phone +1 978 649 0293
www.cab.de/us
info.us@cab.de

Asia 亚洲

cab Technology Co., Ltd.
希愛比科技股份有限公司
Junghe, Taipei, Taiwan
Phone +886 2 8227 3966
www.cab.de/tw
info.asia@cab.de

China 中国

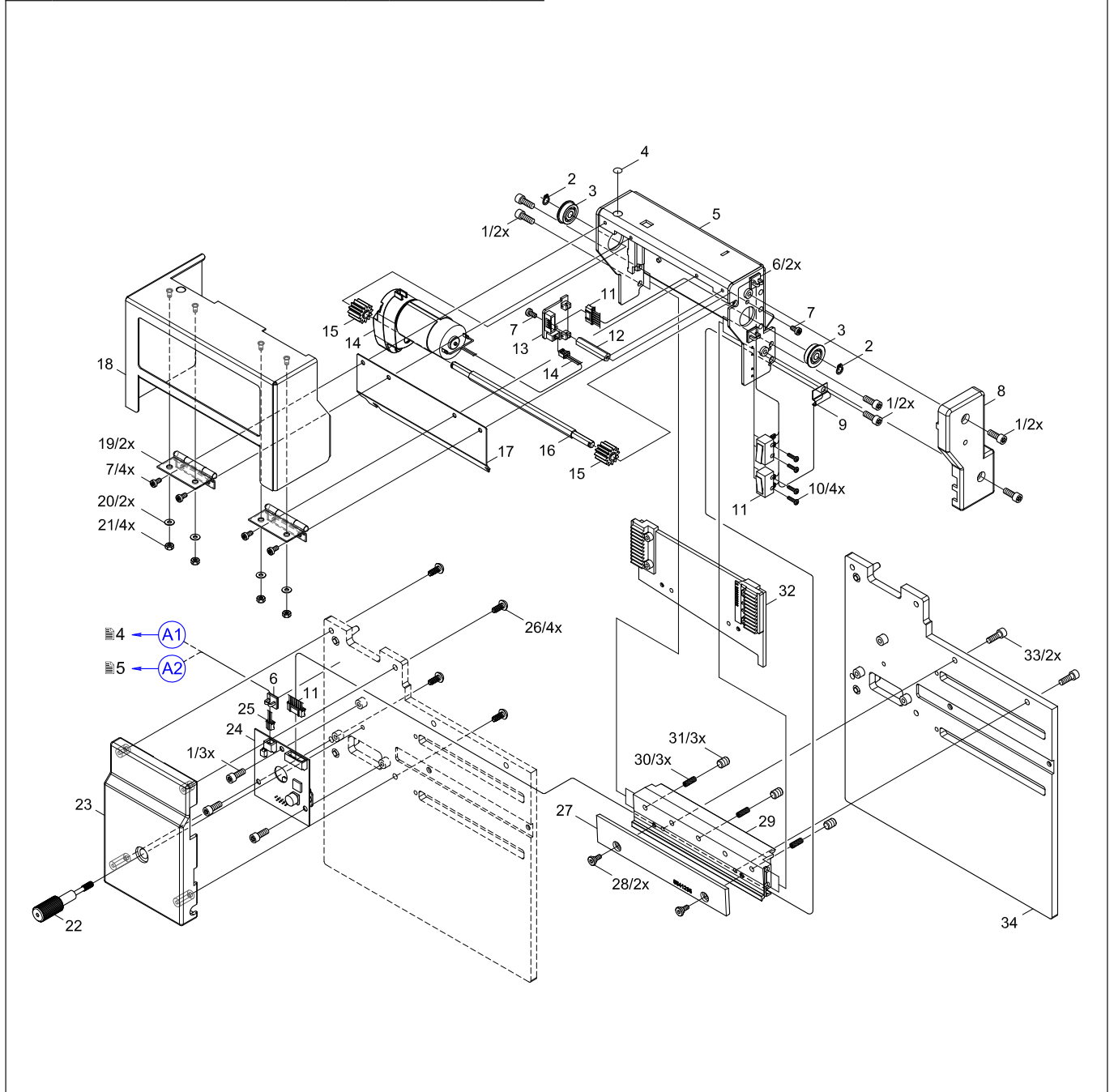
cab (Shanghai) Trading Co., Ltd.
乾博(上海)貿易有限公司
Phone +86 21 6236-3161
www.cab.de/cn
info.cn@cab.de

Representatives in other countries on request

1 Spare Parts - Cutter Unit

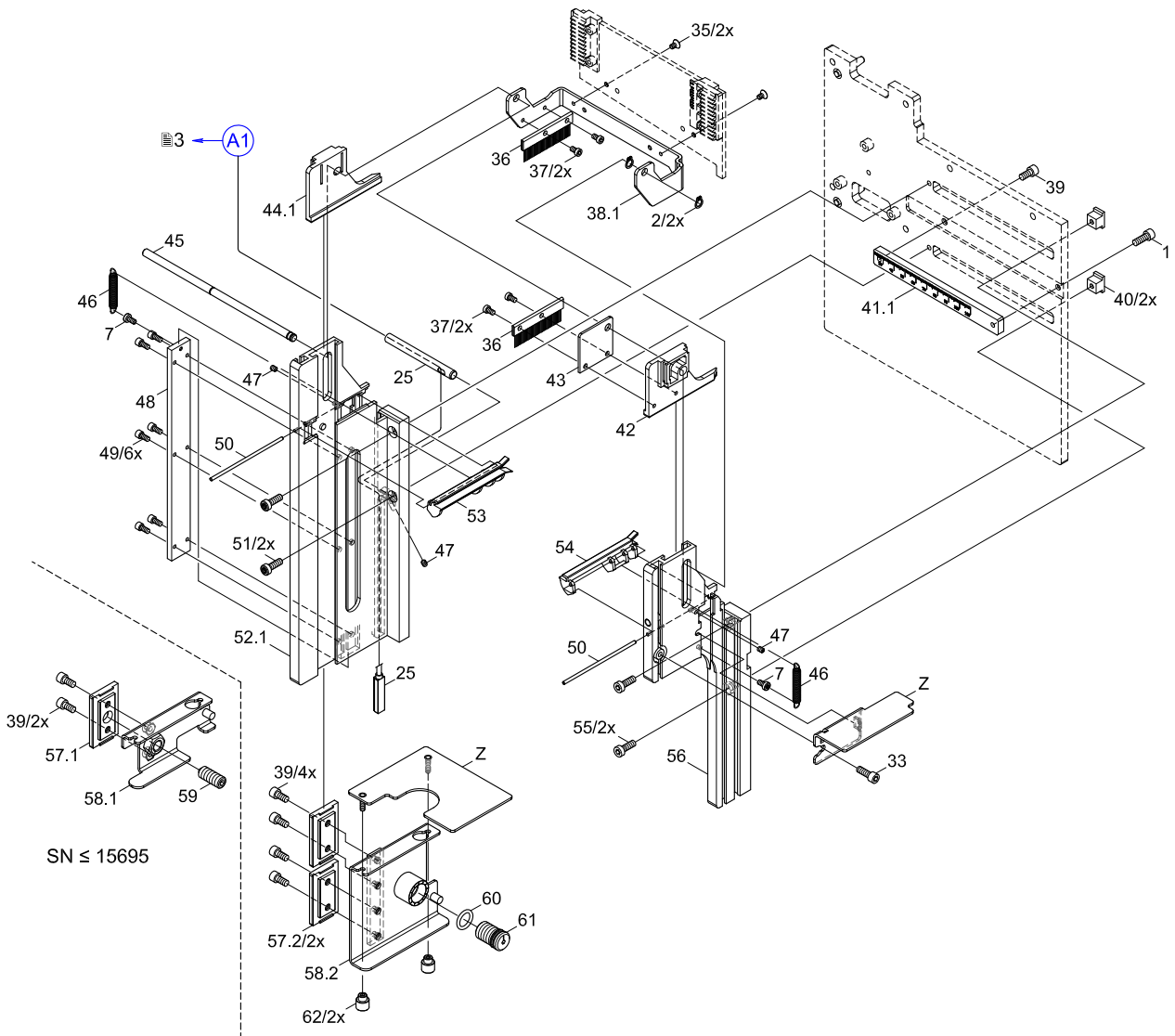
No	Part No.	Description	PU	Note	Serial No.	
					from	to
1	5902837.001	Screw DIN7984-M4x8	10			
2	5903541.001	Snap Ring DIN471-5x0.6	10			
3	5901120.001	Ball Bearing DIN625-F625-ZZ	1			
4	5905210.001	Foot	5			
5	5541342.001	Chassis	1			
6	5901575.001	Cable Clamp	10			
7	5902838.001	Screw DIN7984-M3x6	10			
8	5541594.001	Cover	1			
9	5541582.001	Cable Clamp	1			
10	5902072.001	Screw DIN7985-M2x8	10			
11	5541555.001	Cable Sensors	1			
12	5900083.001	Distance Bolt M3x30	1			
13	5541317.001	PCB Sensors	1			
14	5541187.001	Gear Motor	1			
15	5541267.001	Gear Wheel Z12	1			
16	5541266.001	Shaft	1			
17	5541337.001	Cover	1			

No	Part No.	Description	PU	Note	Serial No.	
					from	to
18	5541592.001	Cover	1			
19	5541385.001	Hinge	1			
20	5903004.001	Washer DIN125-A3.2	10			
21	5902505.001	Nut DIN934-M3	10			
22	5943295.001	Thumbscrew	1			
23	5541591.001	Cover	1			
24	5541586.001	PCB Cutter Electronics	1			
25	5541347.001	Sensor	1			
26	5902816.001	Screw EJOT-PT K40x10	10			
27	5541235.001	Blade	1			
28	5541338.001	Screw	1			
29	5541339.001	Blade Support	1			
30	5906167.001	Spring	10			
31	5904524.001	Set Screw DIN913 M6x8	10			
32	5541392.001	Blade	1			
33	5902489.001	Screw DIN7984-M4x8	10			
34	5541357.001	Base Plate	1			



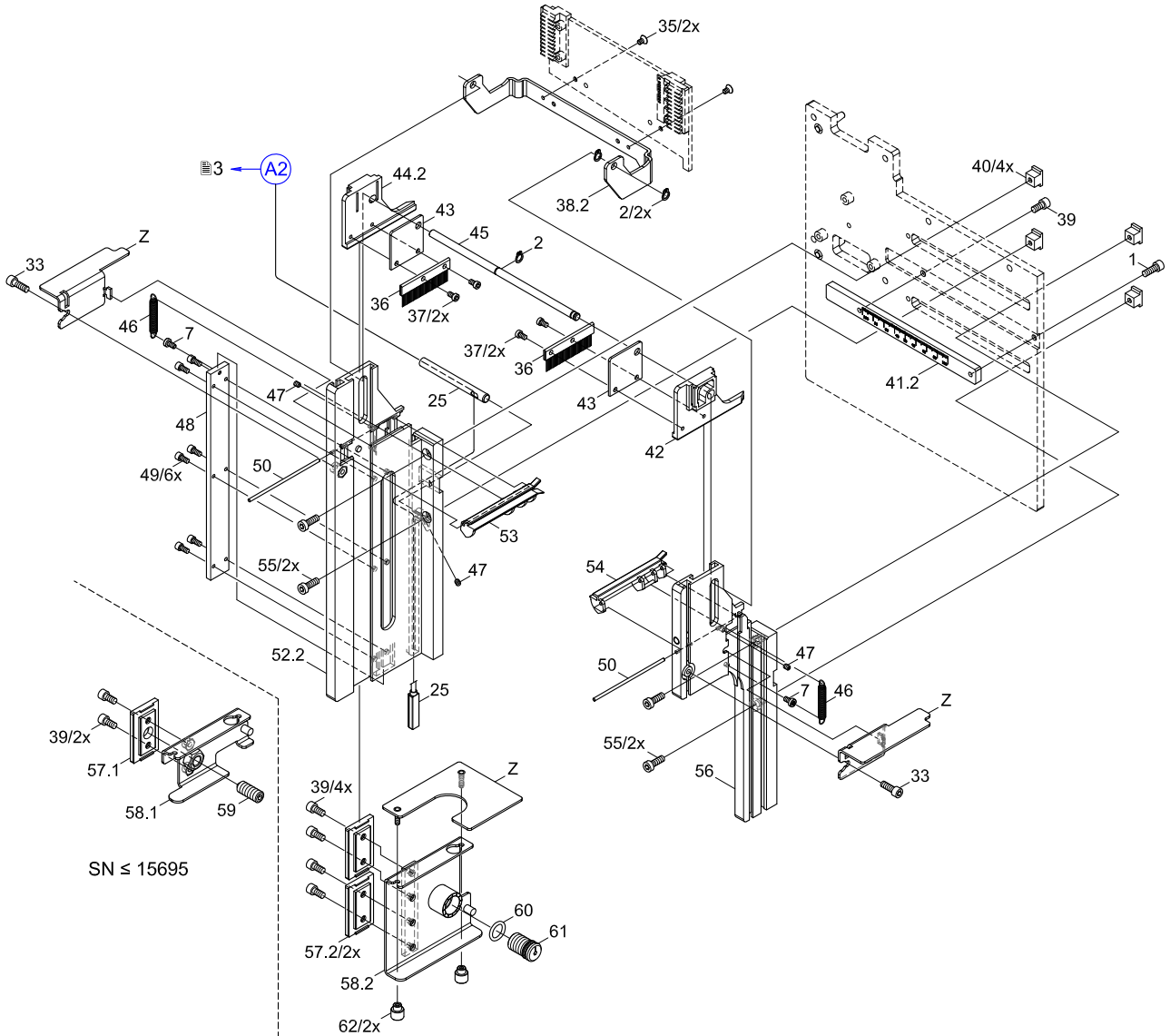
No	Part No.	Description	PU	Note	Serial No.	
					from	to
1	5902837.001	Screw DIN7984-M4x8	10			
2	5903541.001	Snap Ring DIN471-5x0.6	10			
7	5902838.001	Screw DIN7984-M3x6	10			
25	5541347.001	Sensor	1			
33	5902489.001	Screw DIN7984-M4x8	10			
35	5902047.001	Screw DIN7991-M3x5	10			
36	5541243.001	Antistatic Brush	1			
37	5902144.001	Screw DIN7984-M3x5	10			
38.1	5541319.001	Bracket	1			
39	5902571.001	Screw DIN7984-M4x6	10			
40	5541370.001	Slot Nut	1			
41.1	5541366.001	Scale	1			
42	5541241.001	Piston	1			
43	5541242.001	Plate	1			
44.1	5541285.001	Piston	1			
45	5541251.001	Axle	1			
46	5905093.001	Spring	10			
47	5904528.001	Set Screw DIN913-M3x4	10			

No	Part No.	Description	PU	Note	Serial No.		
					from	to	
48	5541576.001	Strip	1				
49	5902168.001	Screw DIN912-M3x5	10				
50	5541291.001	Axle	1				
51	5902836.001	Screw DIN7984-M4x12	10				
52.1	5541288.001	Side Plate	1				
53	5541292.001	Swing	1				
54	5541348.001	Swing	1				
55	5902459.001	Screw DIN7984-M4x12	10				
56	5541265.001	Side Plate	1				
57.1	5541309.001	Sliding Carriage	1			15695	
57.2	5541580.001	Sliding Carriage	1		15696		
58.1	5541298.001	Support	1			15695	
58.2	5541263.001	Support	1		15696		
59	5906875.001	Stopper	1				
60	5905449.001	O-Ring 10x2	10				
61	5541572.001	Magnetic Clamp	1				
62	5541278.001	Thumbscrew	1				
Z	Part No. to be found on the customer-specific part						



No	Part No.	Description	PU	Note	Serial No.	
					from	to
1	5902837.001	Screw DIN7984-M4x8	10			
2	5903541.001	Snap Ring DIN471-5x0.6	10			
7	5902838.001	Screw DIN7984-M3x6	10			
25	5541347.001	Sensor	1			
33	5902489.001	Screw DIN7984-M4x8	10			
35	5902047.001	Screw DIN7991-M3x5	10			
36	5541243.001	Antistatic Brush	1			
37	5902144.001	Screw DIN7984-M3x5	10			
38.2	5541335.001	Bracket	1			
39	5902571.001	Screw DIN7984-M4x6	10			
40	5541370.001	Slot Nut	1			
41.2	5541386.001	Scale	1			
42	5541241.001	Piston	1			
43	5541242.001	Plate	1			
44.2	5541240.001	Piston	1			
45	5541251.001	Axle	1			
46	5905093.001	Spring	10			
47	5904528.001	Set Screw DIN913-M3x4	10			

No	Part No.	Description	PU	Note	Serial No.	
					from	to
48	5541576.001	Strip	1			
49	5902168.001	Screw DIN912-M3x5	10			
50	5541291.001	Axle	1			
52.2	5541394.001	Side Plate	1			
53	5541292.001	Swing	1			
54	5541348.001	Swing	1			
55	5902459.001	Screw DIN7984-M4x12	10			
56	5541265.001	Side Plate	1			
57.1	5541309.001	Sliding Carriage	1			15965
57.2	5541580.001	Sliding Carriage	1		15696	
58.1	5541298.001	Support	1			15965
58.2	5541263.001	Support	1		15696	
59	5906875.001	Stopper	1			
60	5905449.001	O-Ring 10x2	10			
61	5541572.001	Magnetic Clamp	1			
62	5541278.001	Thumbscrew	1			
Z	Part No. to be found on the customer-specific part					



Pos.	Figure/Page			No.	Part No.	Description	PU	SPR				Notes	Serial No.	
								A	B	C	D		from	to
1	3			14	5541187.001	Gear Motor	1			C	D			
2	3			27	5541235.001	Blade	1	A	B	C	D			
3			5	44.2	5541240.001	Piston	1							
4		4	5	42	5541241.001	Piston	1							
5		4	5	43	5541242.001	Plate	1							
6		4	5	36	5541243.001	Antistatic Brush	1							
7		4	5	45	5541251.001	Axle	1							
8		4	5	58.2	5541263.001	Support	1						15696	
9		4	5	56	5541265.001	Side Plate	1							
10	3			16	5541266.001	Shaft	1							
11	3			15	5541267.001	Gear Wheel Z12	1							
12		4	5	62	5541278.001	Thumbscrew	1							
13		4		44.1	5541285.001	Piston	1							
14		4		52.1	5541288.001	Side Plate	1							
15		4	5	50	5541291.001	Axle	1							
16		4	5	53	5541292.001	Swing	1							
17		4	5	58.1	5541298.001	Support	1							15695
18		4	5	57.1	5541309.001	Sliding Carriage	1							15695
19	3			13	5541317.001	PCB Sensors	1		B	C	D			
20		4		38.1	5541319.001	Bracket	1							
21			5	38.2	5541335.001	Bracket	1							
22	3			17	5541337.001	Cover	1							
23	3			28	5541338.001	Screw	1							
24	3			29	5541339.001	Blade Support	1							
25	3			5	5541342.001	Chassis	1							
26	3	4	5	25	5541347.001	Sensor	1		B	C	D			
27		4	5	54	5541348.001	Swing	1							
28	3			34	5541357.001	Base Plate	1							
29		4		41.1	5541366.001	Scale	1							
30		4	5	40	5541370.001	Slot Nut	1							
31	3			19	5541385.001	Hinge	1							
32			5	41.2	5541386.001	Scale	1							
33	3			32	5541392.001	Blade	1	A	B	C	D			
34			5	52.2	5541394.001	Side Plate	1							
35	3			11	5541555.001	Cable Sensors	1							
36		4	5	61	5541572.001	Magnetic Clamp	1							
37		4	5	48	5541576.001	Strip	1							
38		4	5	57.2	5541580.001	Sliding Carriage	1						15696	
39	3			9	5541582.001	Cable Clamp	1							
40	3			24	5541586.001	PCB Cutter Electronics	1		B	C	D			
41	3			23	5541591.001	Cover	1							
42	3			18	5541592.001	Cover	1							
43	3			8	5541594.001	Cover	1							
44	3			12	5900083.001	Distance Bolt M3x30	1							
45	3			3	5901120.001	Ball Bearing DIN625-F625-ZZ	1							
46	3			6	5901575.001	Cable Clamp	10							
47		4	5	35	5902047.001	Screw DIN7991-M3x5	10							
48	3			10	5902072.001	Screw DIN7985-M2x8	10							
49		4	5	37	5902144.001	Screw DIN7984-M3x5	10							
50		4	5	49	5902168.001	Screw DIN912-M3x5	10							
51		4	5	55	5902459.001	Screw DIN7984-M4x12	10							
52	3	4	5	33	5902489.001	Screw DIN7984-M4x8	10							
53	3			21	5902505.001	Nut DIN934-M3	10							
54		4	5	39	5902571.001	Screw DIN7984-M4x6	10							
55	3			26	5902816.001	Screw EJOT-PT K40x10	10							
56		4		51	5902836.001	Screw DIN7984-M4x12	10							
57	3	4	5	1	5902837.001	Screw DIN7984-M4x8	10							
58	3	4	5	7	5902838.001	Screw DIN7984-M3x6	10							
59	3			20	5903004.001	Washer DIN125-A3.2	10							
60	3	4	5	2	5903541.001	Snap Ring DIN471-5x0.6	10							

PU Package unit

SPR Recommendation

A - wearing parts and accessories

B - recommended spare parts for quick repair

C - recommended spare parts for distributors

D - recommended spare parts for central stores

4 Spare Parts Index

7

Pos.	Figure/Page		No.	Part No.	Description	PU	SPR				Notes	Serial No.	
												from	to
61	3		31	5904524.001	Set Screw DIN913 M6x8	10							
62		4	5	47	5904528.001	Set Screw DIN913-M3x4	10						
63		4	5	46	5905093.001	Spring	10		C	D			
64	3			4	5905210.001	Foot	5						
65		4	5	60	5905449.001	O-Ring 10x2	10						
66	3			30	5906167.001	Spring	10		C	D			
67		4	5	59	5906875.001	Stopper	1						
68	3			22	5943295.001	Thumbscrew	1						

5 Packaging/Accessories

Pos.	Figure/Page		No.	Part No.	Description	PU	SPR				Notes	Serial No.	
												from	to
69		-		-	9109035.001	Packaging	1						

PU Package unit

SPR Recommendation

A - wearing parts and accessories

B - recommended spare parts for quick repair

C - recommended spare parts for distributors

D - recommended spare parts for central stores