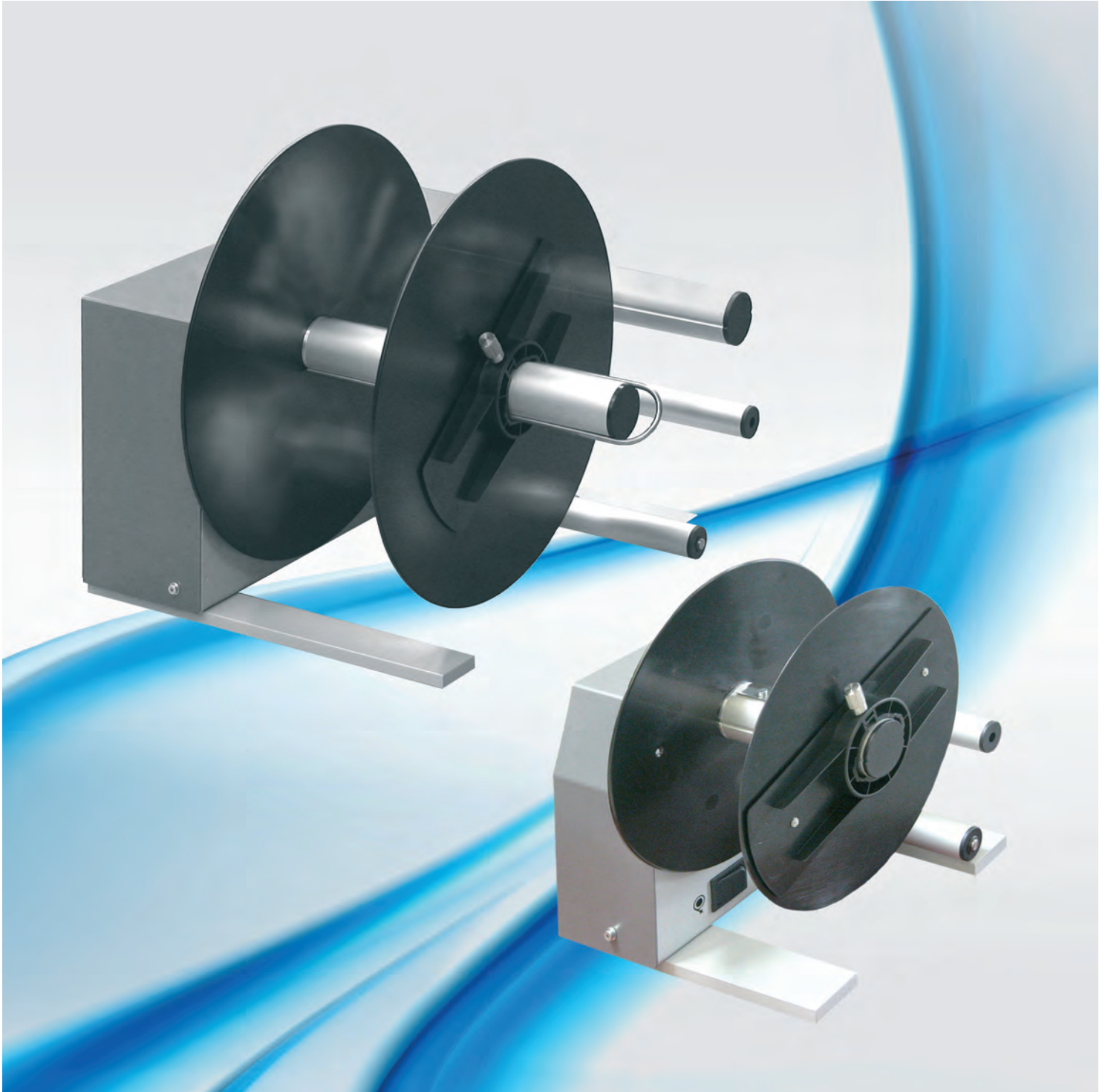


Spare Parts List



External Rewinder

ER Series

Made in Germany

for the following products

Part No.	Description	Type
5948102	External Rewinder	ER1/210
5943251	External Rewinder	ER2/210
5945802	External Rewinder	ER3/210
5948100	External Rewinder	ER4/210
5946090	External Rewinder	ER4/300
5946420	External Rewinder	ER6/300
5945804	External Rewinder	ER8/300

Table of Contents

1	ER1/210, ER2/210, ER3/210 - Chassis, Electronics.....	3
2	ER4/210 - Chassis, Electronics, Power Supply	4
3	ER1/210, ER2/210, ER3/210, ER4/210 - Motor, Winder.....	5
4	ER4/300, ER6/300, ER8/300 - Chassis, Deflections	6
5	ER4/300, ER6/300, ER8/300 - Electronics, Power Supply	7
6	ER4/300, ER6/300, ER8/300 - Motor, Winder.....	8
7	Spare Parts Index	9
8	Packaging/Accessories	11

Edition: 08/2018 - Part No. 9008752

Copyright

This documentation as well as translation hereof are property of cab Produkttechnik GmbH & Co. KG.

The replication, conversion, duplication or divulgement of the whole manual or parts of it for other intentions than its original intended purpose - in particular the procurement of spare parts for products sold by cab – demand the previous written authorisation by cab.

Editor

Regarding questions or comments please contact cab Produkttechnik GmbH & Co. KG.

Topicality

Due to the constant further development of our products discrepancies between documentation and product can occur. Please check www.cab.de for the latest update.

Terms and conditions

Deliveries and performances are effected under the “General conditions of sale of cab”

Germany
cab Produkttechnik GmbH & Co KG
Karlsruhe
Phone +49 721 6626 0
www.cab.de

USA
cab Technology, Inc.
Chelmsford, MA
Phone +1 978 250 8321
www.cab.de/us

Taiwan
cab Technology Co., Ltd.
Taipei
Phone +886 (02) 8227 3966
www.cab.de/tw

China
cab (Shanghai) Trading Co., Ltd.
Guangzhou
Phone +86 (020) 2831 7358
www.cab.de/cn

France
cab Technologies S.à.r.l.
Niedermodern
Phone +33 388 722501
www.cab.de/fr

Mexico
cab Technology, Inc.
Juárez
Phone +52 656 682 4301
www.cab.de/es

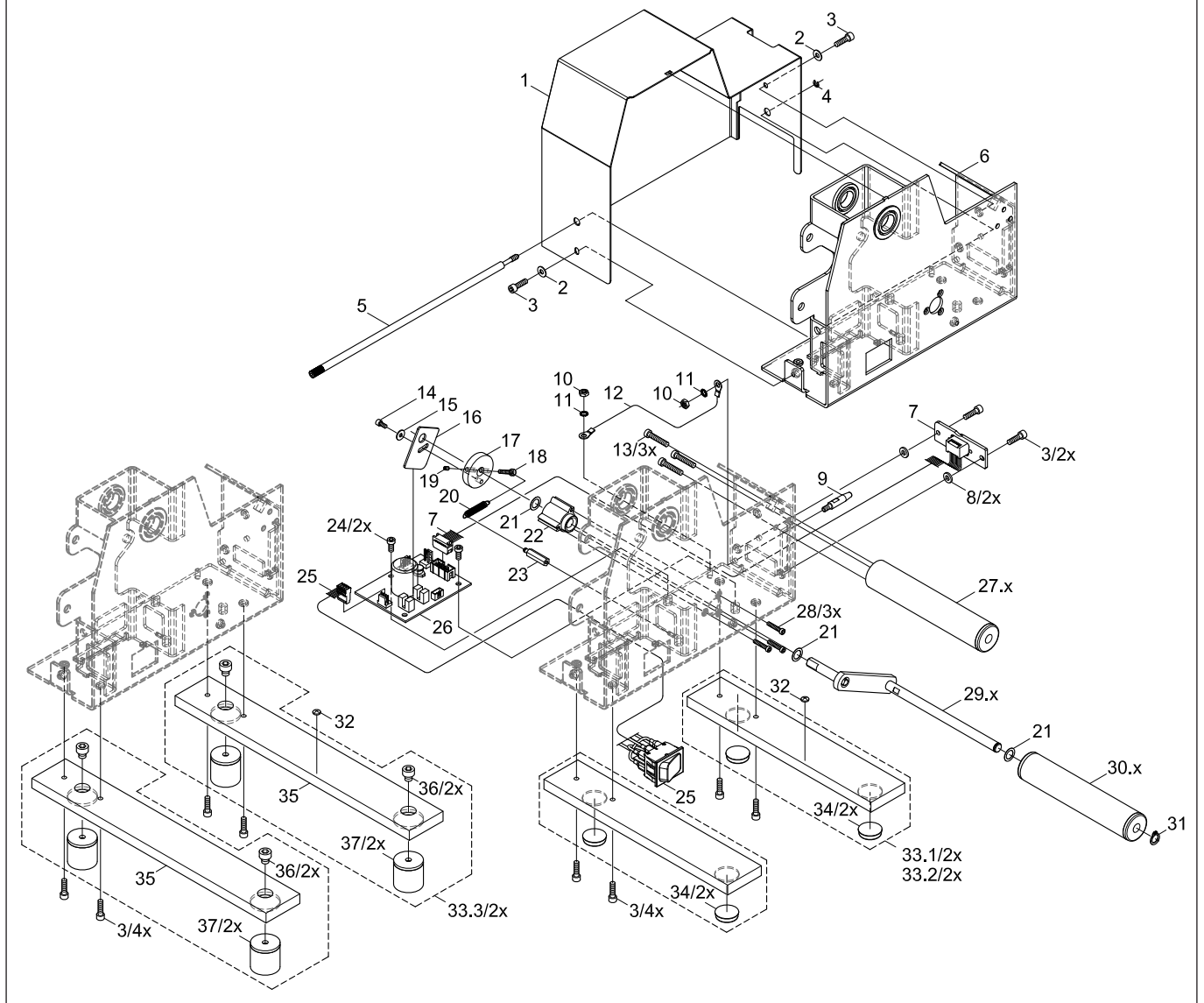
China
cab (Shanghai) Trading Co., Ltd.
Shanghai
Phone +86 (021) 6236 3161
www.cab.de/cn

South Africa
cab Technology (Pty) Ltd.
Randburg
Phone +27 11 886 3580
www.cab.de/za

No.	Part No.	Description	PU	Notes	Serial No.	
					from	to
1	5945869.001	Cover	1			
2	5903003.001	Washer DIN125-A4.3	10			
3	5902241.001	Screw DIN7984 M4x10	10			
4	5903507.001	E-Ring DIN6799-3.2	10			
5	5945716.001	Spindle	1			
6	5945865.001	Mounting Plate	1			
7	5945737.001	Cable	1			
8	5903113.001	Washer 4.3x9.0x1.4	10			
9	5945713.001	Locating Pin	1			
10	5902501.001	Nut DIN934-M4	10			
11	5903011.001	Toothed Washer DIN6797-A4.3	10			
12	5901684.001	Ground Cable	1			
13	5902348.001	Screw DIN7984-M4x16	10			
14	5902168.001	Screw DIN912-M3x5	10			
15	5903009.001	Washer DIN9021-3.2	10			
16	5945881.001	Blind	1			
17	5533089.001	Flange	1			
18	5902018.001	Screw DIN912-M3x16	10			
19	5904510.001	Set Screw DIN916-M3x5	10			
20	5905010.001	Spring	1			
21	5903094.001	Washer DIN988-8x12x0.2	10			
22	5945729.001	Bushing	1			
23	5520854.001	Spring Bolt	1			
24	5902358.001	Screw DIN7984-M4x6	10			

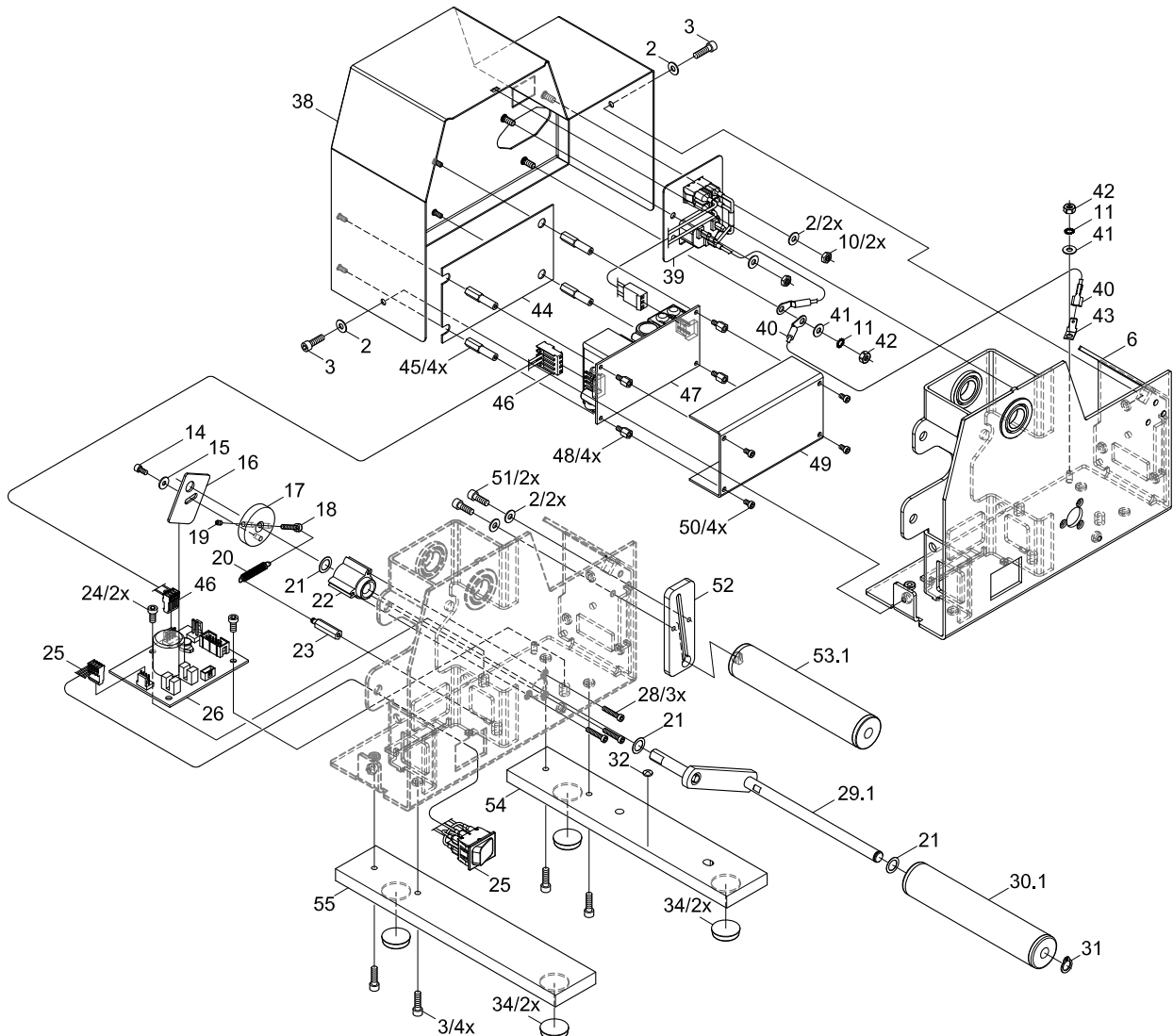
No.	Part No.	Description	PU	Notes	Serial No.	
					from	to
25	5530789.001	Rocker Switch	1			
26	5948197.001	PCB Control	1			
27.1	5945735.001	Roller	1	12		
27.2	5945767.001	Roller	1	22		
27.3	5948118.001	Roller	1	32		
28	5902410.001	Screw DIN7984-M3x12	10			
29.1	5945730.001	Lever	1	12		
29.2	5945763.001	Lever	1	22		
29.3	5948120.001	Lever	1	32		
30.1	5945711.001	Roller	1	12		
30.2	5945765.001	Roller	1	22		
30.3	5948116.001	Roller	1	32		
31	5903516.001	Snap Ring DIN471-8x0.8	10			
32	5905210.001	Foot	5			
33.1	5945733.001	Foot	1	12		
33.2	5945754.001	Foot	1	22		
33.3	5945918.001	Foot	1	32		
34	5906576.001	Foot	5	12,22		
35	5945917.001	Foot	1	32		
36	5902302.001	Screw DIN7984-M6x6	10	32		
37	5906163.001	Stopper	1	32		

Notes	12	ER1/210
	22	ER2/210
	32	ER3/210



No.	Part No.	Description	PU	Notes	Serial No.	
					from	to
2	5903003.001	Washer DIN125-A4.3	10			
3	5902241.001	Screw DIN7984 M4x10	10			
6	5945865.001	Mounting Plate	1			
10	5902501.001	Nut DIN934-M4	10			
11	5903011.001	Toothed Washer DIN6797-A4.3	10			
14	5902168.001	Screw DIN912-M3x5	10			
15	5903009.001	Washer DIN9021-3.2	10			
16	5945881.001	Blind	1			
17	5533089.001	Flange	1			
18	5902018.001	Screw DIN912-M3x16	10			
19	5904510.001	Set Screw DIN916-M3x5	10			
20	5905010.001	Spring	1			
21	5903094.001	Washer DIN988-8x12x0.2	10			
22	5945729.001	Bushing	1			
23	5520854.001	Spring Bolt	1			
24	5902358.001	Screw DIN7984-M4x6	10			
25	5530789.001	Rocker Switch	1			
26	5948197.001	PCB Control	1			
28	5902410.001	Screw DIN7984-M3x12	10			
29.1	5945730.001	Lever	1	42		
30.1	5945711.001	Roller	1	42		

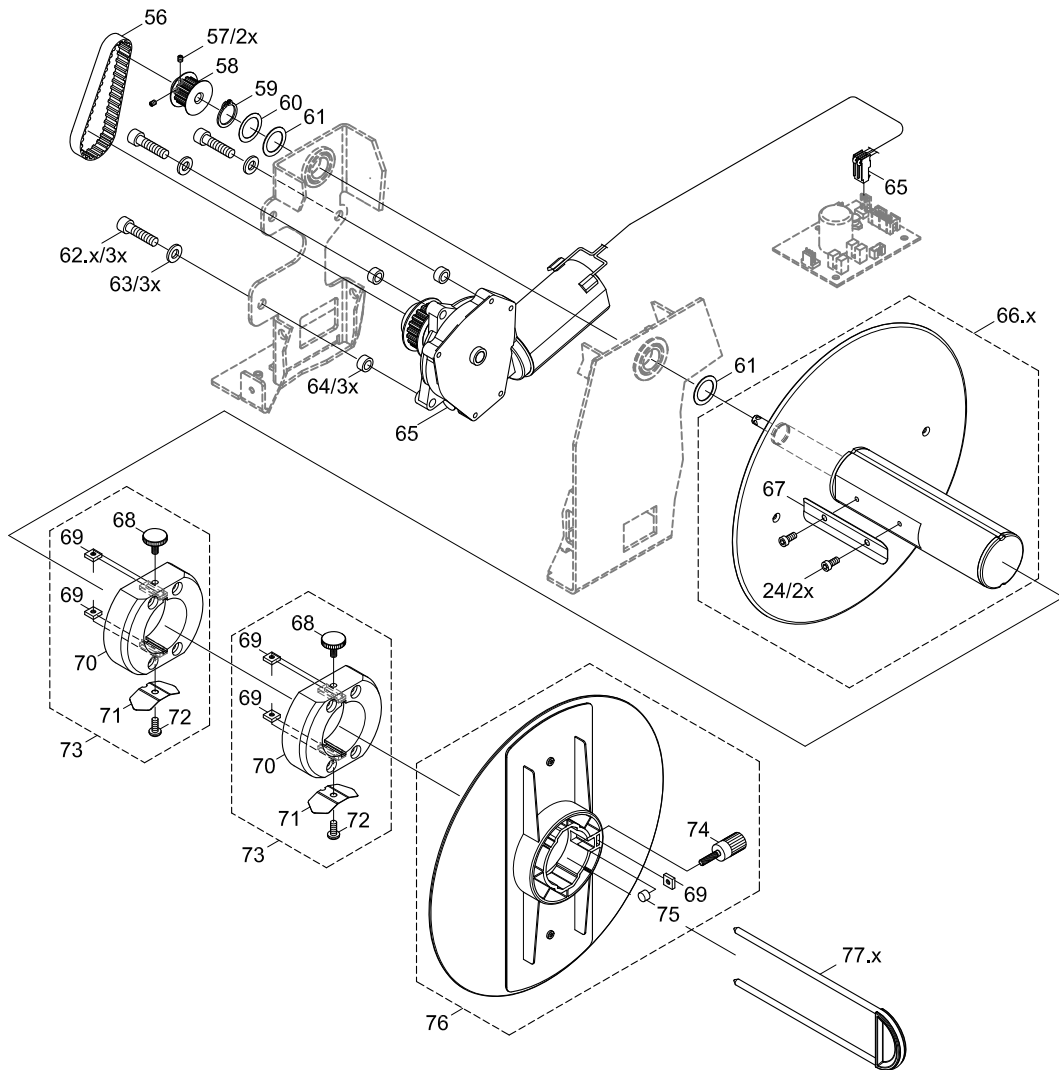
No.	Part No.	Description	PU	Notes	Serial No.	
					from	to
31	5903516.001	Snap Ring DIN471-8x0.8	10			
32	5905210.001	Foot	5			
34	5906576.001	Foot	5			
38	5948151.001	Cover	1			
39	5948165.001	Power Input Module	1			
40	5534732.001	Cable Grounding	1			
41	5903033.001	Washer DIN125-A4.3	10			
42	5902510.001	Nut DIN934-M4	10			
43	5917072.001	Tab DIN46244-A4	10			
44	5948163.001	Insulating Plate	1			
45	5948155.001	Distance Bolt	1			
46	5948164.001	Kabel	1			
47	5911112.001	Power Supply	1			
48	5900045.001	Distance Bolt M3x6	10			
49	5948154.001	Cover	1			
50	5902144.001	Screw DIN7984-M3x5	10			
51	5902489.001	Screw DIN7984-M4x8	10			
52	5948156.001	Adapter Plate	1			
53.1	5948159.001	Roller	1	42		
54	5948177.001	Foot	1			
55	5945742.001	Foot	1			



No.	Part No.	Description	PU	Notes	Serial No.	
					from	to
24	5902358.001	Screw DIN7984-M4x6	10			
56	5905772.001	Belt 80XL 037	1			
57	5904528.001	Set Screw DIN913-M3x4	10			
58	5945724.001	Gear 12	1			
59	5903540.001	Snap Ring DIN471-15x1	10			
60	5903104.001	Washer DIN988-15x21x0,2	10			
61	5903084.001	Washer DIN988-15x21x0,5	10			
62.1	5902178.001	Screw DIN912-M6x20	10	21, 22,32		
62.2	5909043.001	Screw DIN7984-M6x20	10	42		
63	5903040.001	Washer DIN125-A6,4	10			
64	5900537.001	Spacer Bushing M6x5	10			
65	5945880.001	Gear Motor	1			
66.1	5948190.001	Shaft	1	12,42		
66.2	5948192.001	Shaft	1	22		
66.3	5948194.001	Shaft	1	32		

No.	Part No.	Description	PU	Notes	Serial No.	
					from	to
67	5948130.001	Spring	1			
68	5902089.001	Screw DIN653-M4x12	10			
69	8910053.001	Square Nut M4 8mm	10			
70	5520697.001	Adapter	1			
71	5520698.001	Spring	1			
72	5902022.001	Screw DIN7985-M4x10	10			
73	5520211.001	Adapter	1			
74	5525399.001	Thumbscrew	1			
75	5520860.001	Stopper	1			
76	5948529.001	Wall Spacer	1			
77.1	5530729.001	Clamp	1	12,42		
77.2	5533008.001	Clamp	1	22		
77.3	5533077.001	Clamp	1	32		

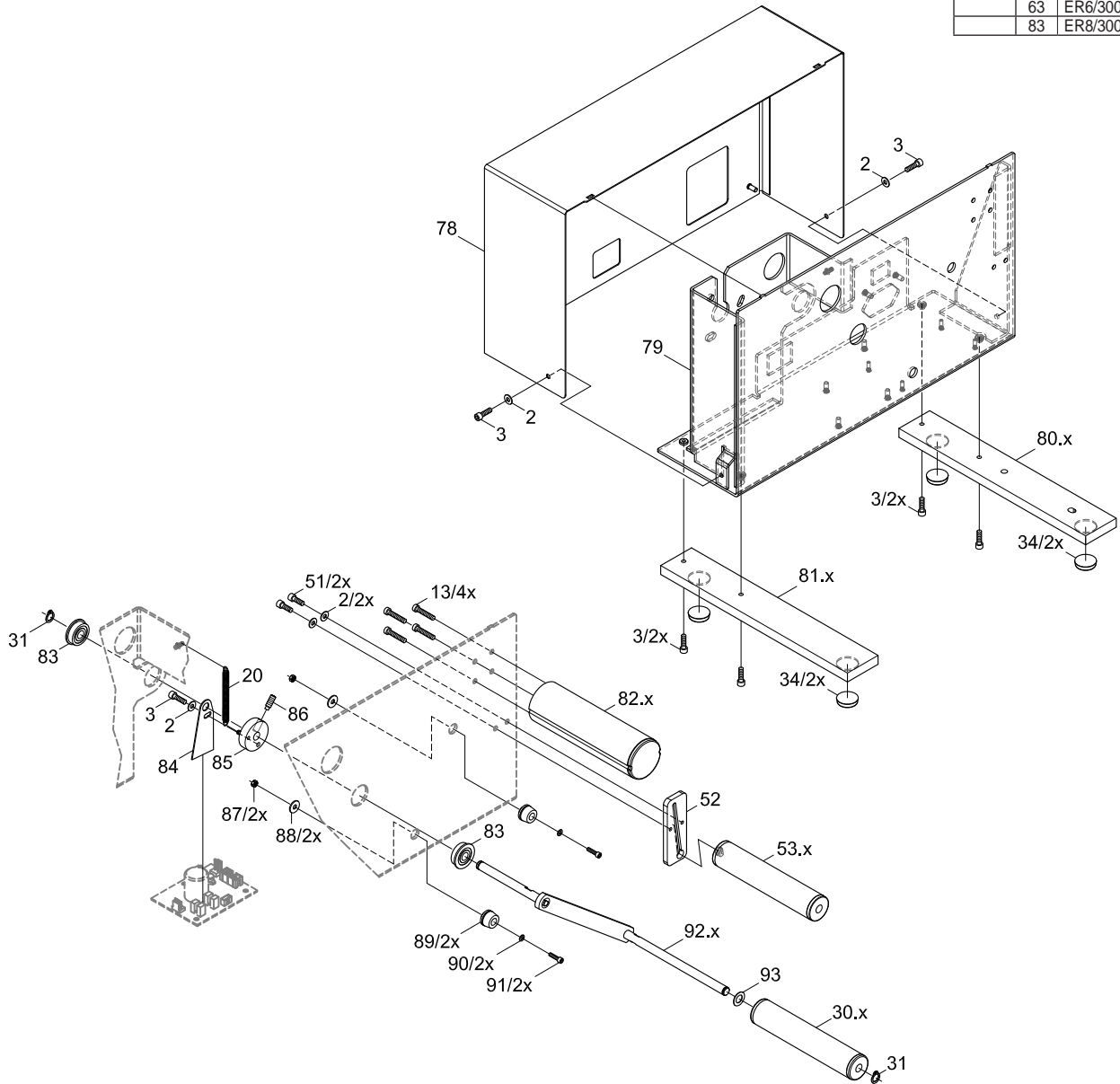
Notes	12	ER1/210
	22	ER2/210
	32	ER3/210
	42	ER4/210



No.	Part No.	Description	PU	Notes	Serial No.	
					from	to
2	5903003.001	Washer DIN125-A4.3	10			
3	5902241.001	Screw DIN7984 M4x10	10			
13	5902348.001	Screw DIN7984-M4x16	10			
20	5905010.001	Spring	1			
30.1	5945711.001	Roller	1	43		
30.2	5945765.001	Roller	1	63		
30.3	5948116.001	Roller	1	83		
31	5903516.001	Snap Ring DIN471-8x0.8	10			
34	5906576.001	Foot	5			
51	5902489.001	Screw DIN7984-M4x8	10			
52	5948156.001	Adapter Plate	1			
53.1	5948159.001	Roller	1	43		
53.2	5948181.001	Roller	1	63		
53.3	5948183.001	Roller	1	83		
78	5948545.001	Cover	1			
79	5948514.001	Mounting Plate	1			
80.1	5948546.001	Foot	1	43		
80.2	5948568.001	Foot	1	63,83		

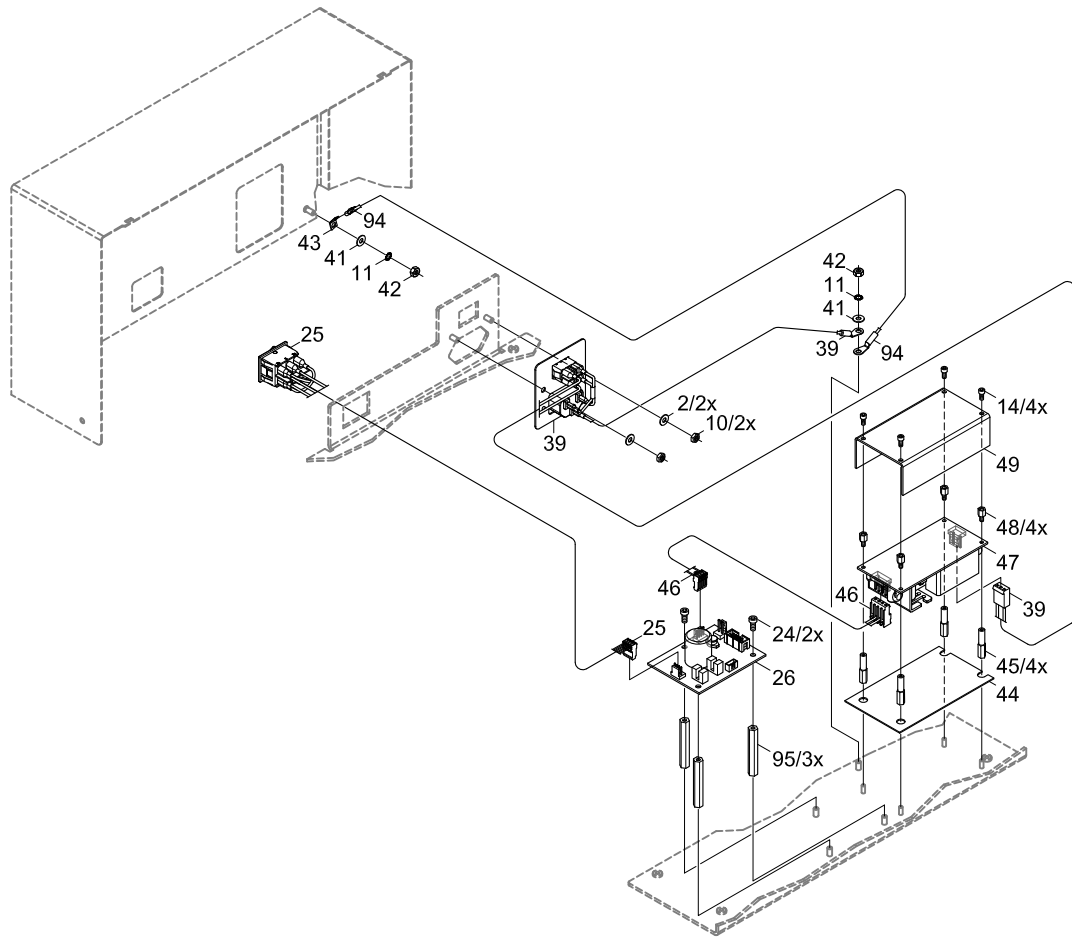
No.	Part No.	Description	PU	Notes	Serial No.	
					from	to
81.1	5948541.001	Foot	1	43		
81.2	5948566.001	Foot	1	63,83		
82.1	5948531.001	Roller	1	43		
82.2	5948565.001	Roller	1	63		
82.3	5948585.001	Roller	1	83		
83	5901090.001	Ball Bearing DIN625-F608-ZZ	1			
84	5948537.001	Blind	1			
85	5948572.001	Retainer	1			
86	5904522.001	Set Screw DIN915-M5x14	10			
87	5902505.001	Nut DIN934-M3	10			
88	5903005.001	Washer DIN9021-4.3	10			
89	5948569.001	Foot	1			
90	5903070.001	Washer DIN433-3.2	10			
91	5902010.001	Screw DIN912-M3x10	10			
92.1	5948527.001	Lever	1	43		
92.2	5948562.001	Lever	1	63		
92.3	5948582.001	Lever	1	83		
93	5903020.001	Washer DIN988-8x14x0.5	10			

Notes	43	ER4/300
	63	ER6/300
	83	ER8/300



No.	Part No.	Description	PU	Notes	Serial No.	
					from	to
2	5903003.001	Washer DIN125-A4.3	10			
10	5902501.001	Nut DIN934-M4	10			
11	5903011.001	Toothed Washer DIN6797-A4.3	10			
14	5902168.001	Screw DIN912-M3x5	10			
24	5902358.001	Screw DIN7984-M4x6	10			
25	5530789.001	Rocker Switch	1			
26	5948197.001	PCB Control	1			
39	5948165.001	Power Input Module	1			
41	5903033.001	Washer DIN125-A4.3	10			
42	5902510.001	Nut DIN934-M4	10			

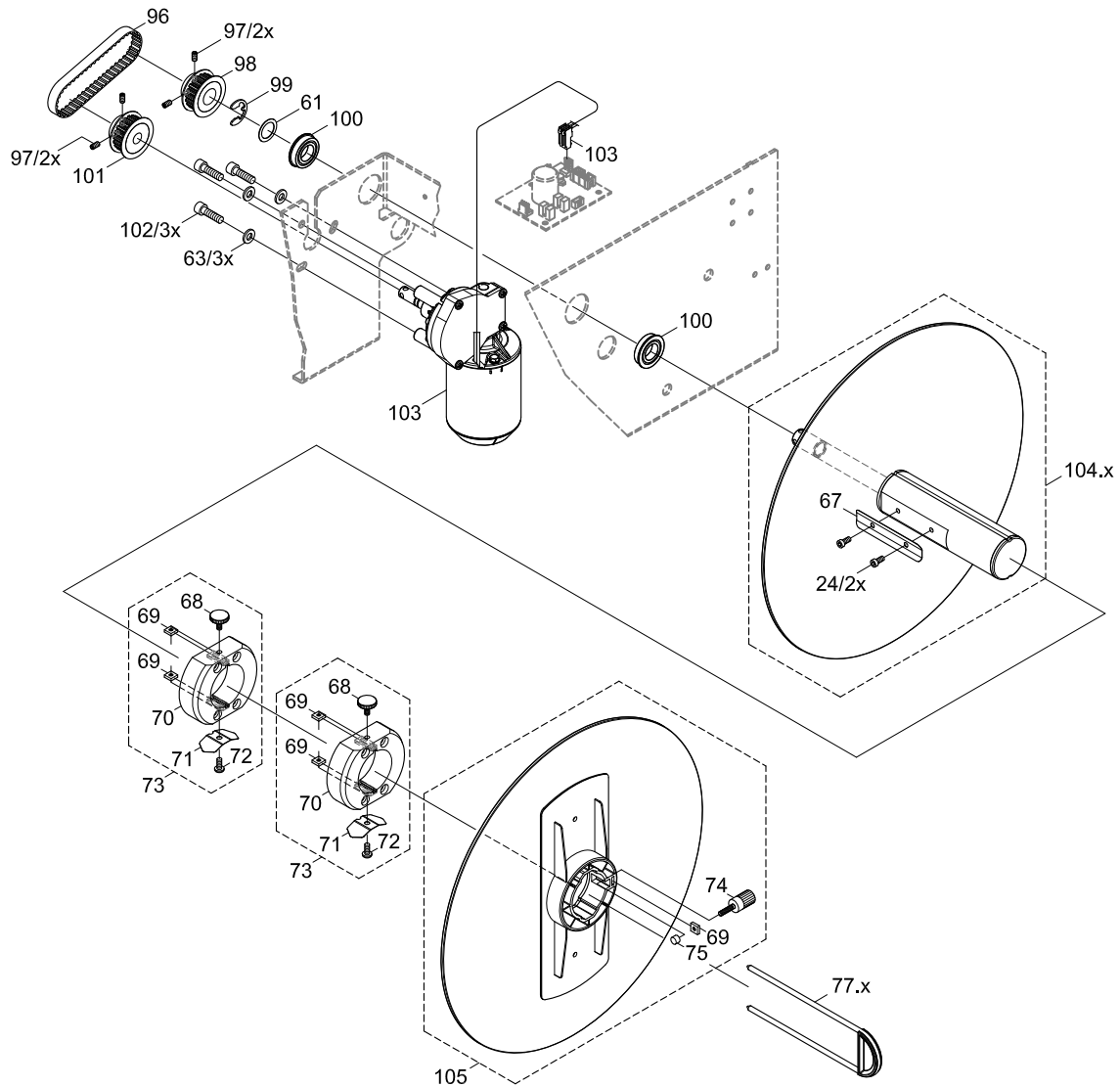
No.	Part No.	Description	PU	Notes	Serial No.	
					from	to
43	5917072.001	Tab DIN46244-A4	10			
44	5948163.001	Insulating Plate	1			
45	5948155.001	Distance Bolt	1			
46	5948164.001	Kabel	1			
47	5911112.001	Power Supply	1			
48	5900045.001	Distance Bolt M3x6	10			
49	5948154.001	Cover	1			
94	5530777.001	Cable	1			
95	5948536.001	Bolt	1			



No.	Part No.	Description	PU	Notes	Serial No.	
					from	to
24	5902358.001	Screw DIN7984-M4x6	10			
61	5903084.001	Washer DIN988-15x21x0.5	10			
63	5903040.001	Washer DIN125-A6,4	10			
67	5948130.001	Spring	1			
68	5902089.001	Screw DIN653-M4x12	10			
69	8910053.001	Square Nut M4 8mm	10			
70	5520697.001	Adapter	1			
71	5520698.001	Spring	1			
72	5902022.001	Screw DIN7985-M4x10	10			
73	5520211.001	Adapter	1			
74	5525399.001	Thumbscrew	1			
75	5520860.001	Stopper	1			
77.1	5530729.001	Clamp	1	43		
77.2	5533008.001	Clamp	1	63		
77.3	5533077.001	Clamp	1	83		

No.	Part No.	Description	PU	Notes	Serial No.	
					from	to
96	5905964.001	Belt 96XL 037	1			
97	5904515.001	Set Screw DIN913-M4x8	10			
98	5533024.001	Gear 20	1			
99	5903511.001	E-Ring DIN6799-12	10			
100	5901103.001	Ball Bearing DIN625-F6902ZZ	1			
101	5948535.001	Gear 20	1			
102	5902361.001	Screw DIN7984-M6x16	10			
103	5948590.001	Gear Motor	1			
104.1	5948522.001	Shaft	1	43		
104.2	5948561.001	Shaft	1	63		
104.3	5948581.001	Shaft	1	83		
105	5955078.001	Wall Spacer	1			

Notes	43	ER4/300
	63	ER6/300
	83	ER8/300



Pos.	Figure/Page			No.	Part No.	Description	PU	SPR				Notes	Serial No.			
													from	to		
1			5		8	73	5520211.001	Adapter	1	-	-	-	-			
2			5		8	70	5520697.001	Adapter	1	-	-	-	-			
3			5		8	71	5520698.001	Spring	1	-	-	-	-			
4	3	4				23	5520854.001	Spring Bolt	1	-	-	-	-	12,22,32,42		
5			5		8	75	5520860.001	Stopper	1	-	-	-	-			
6			5		8	74	5525399.001	Thumbscrew	1	-	-	-	-			
7			5		8	77.1	5530729.001	Clamp	1	-	-	-	-	12,42,43		
8					7	94	5530777.001	Cable	1	-	-	-	-	43,63,83		
9	3	4			7	25	5530789.001	Rocker Switch	1	-	-	C	D			
10			5		8	77.2	5533008.001	Clamp	1	-	-	-	-	22,63		
11					8	98	5533024.001	Gear 20	1	-	-	-	-	43,63,83		
12			5		8	77.3	5533077.001	Clamp	1	-	-	-	-	32,83		
13	3	4				17	5533089.001	Flange	1	-	-	-	-	12,22,32,42		
14			4			40	5534732.001	Cable Grounding	1	-	-	-	-	42		
15			4		7	48	5900045.001	Distance Bolt M3x6	10	-	-	-	-	42,43,63,83		
16			5			64	5900537.001	Spacer Bushing M6x5	10	-	-	-	-	12,22,32,42		
17					6	83	5901090.001	Ball Bearing DIN625-F608-ZZ	1	-	-	-	-	43,63,83		
18					8	100	5901103.001	Ball Bearing DIN625-F690ZZ	1	-	-	-	-	43,63,83		
19	3					12	5901684.001	Ground Cable	1	-	-	-	-	12,22,32		
20					6	91	5902010.001	Screw DIN912-M3x10	10	-	-	-	-	43,63,83		
21	3	4				18	5902018.001	Screw DIN912-M3x16	10	-	-	-	-	12,22,32,42		
22			5		8	72	5902022.001	Screw DIN7985-M4x10	10	-	-	-	-			
23			5		8	68	5902089.001	Screw DIN653-M4x12	10	-	-	-	-			
24			4			50	5902144.001	Screw DIN7984-M3x5	10	-	-	-	-	42		
25	3	4			7	14	5902168.001	Screw DIN912-M3x5	10	-	-	-	-			
26			5			62.1	5902178.001	Screw DIN912-M6x20	10	-	-	-	-	12,22,32		
27	3	4			6	3	5902241.001	Screw DIN7984 M4x10	10	-	-	-	-			
28	3					36	5902302.001	Screw DIN7984-M6x6	10	-	-	-	-	32		
29	3				6	13	5902348.001	Screw DIN7984-M4x16	10	-	-	-	-	12,22,32,43,63,83		
30	3	4	5		7	8	24	5902358.001	Screw DIN7984-M4x6	10	-	-	-	-		
31					8	102	5902361.001	Screw DIN7984-M6x16	10	-	-	-	-	43,63,83		
32	3	4				28	5902410.001	Screw DIN7984-M3x12	10	-	-	-	-	12,22,32,42		
33			4		6	51	5902489.001	Screw DIN7984-M4x8	10	-	-	-	-	42,43,63,83		
34	3	4			7	10	5902501.001	Nut DIN934-M4	10	-	-	-	-			
35					6	87	5902505.001	Nut DIN934-M3	10	-	-	-	-	43,63,83		
36			4		7	42	5902510.001	Nut DIN934-M4	10	-	-	-	-	42,43,63,83		
37	3	4			6	7	2	5903003.001	Washer DIN125-A4.3	10	-	-	-	-		
38					6	88	5903005.001	Washer DIN9021-4.3	10	-	-	-	-	43,63,83		
39	3	4				15	5903009.001	Washer DIN9021-3.2	10	-	-	-	-	12,22,32,42		
40	3	4			7	11	5903011.001	Toothed Washer DIN6797-A4.3	10	-	-	-	-			
41					6	93	5903020.001	Washer DIN988-8x14x0.5	10	-	-	-	-	43,63,83		
42			4		7	41	5903033.001	Washer DIN125-A4.3	10	-	-	-	-	42,43,63,83		
43			5		8	63	5903040.001	Washer DIN125-A6,4	10	-	-	-	-			
44					6	90	5903070.001	Washer DIN433-3.2	10	-	-	-	-	43,63,83		
45			5		8	61	5903084.001	Washer DIN988-15x21x0.5	10	-	-	-	-			
46	3	4				21	5903094.001	Washer DIN988-8x12x0.2	10	-	-	-	-	12,22,32,42		
47			5			60	5903104.001	Washer DIN988-15x21x0,2	10	-	-	-	-	12,22,32,42		
48	3					8	5903113.001	Washer 4.3x9.0x1.4	10	-	-	-	-	12,22,32		
49	3					4	5903507.001	E-Ring DIN6799-3.2	10	-	-	-	-	12,22,32		
50					8	99	5903511.001	E-Ring DIN6799-12	10	-	-	-	-	43,63,83		
51	3	4			6	31	5903516.001	Snap Ring DIN471-8x0.8	10	-	-	-	-			
52			5			59	5903540.001	Snap Ring DIN471-15x1	10	-	-	-	-	12,22,32,42		
53	3	4				19	5904510.001	Set Screw DIN916-M3x5	10	-	-	-	-	12,22,32,42		
54					8	97	5904515.001	Set Screw DIN913-M4x8	10	-	-	-	-	43,63,83		
55					6	86	5904522.001	Set Screw DIN915-M5x14	10	-	-	-	-	43,63,83		
56			5			57	5904528.001	Set Screw DIN913-M3x4	10	-	-	-	-	12,22,32,42		
57	3	4			6	20	5905010.001	Spring	1	-	-	-	-			
58	3	4				32	5905210.001	Foot	5	-	-	-	-	12,22,32		
59			5			56	5905772.001	Belt 80XL 037	1	-	-	C	D	12,22,32,42		
60					8	96	5905964.001	Belt 96XL 037	1	-	-	C	D	43,63,83		

- PU Package unit SPR Spare part recommendation
- 12 ER1/210 A wearing parts and accessories
 - 22 ER2/210 B recommended spare parts for quick repair
 - 32 ER3/210 C recommended spare parts for distributors
 - 42 ER4/210 D recommended spare parts for central stores
 - 43 ER4/300
 - 63 ER6/300
 - 83 ER8/300

Pos.	Figure/Page					No.	Part No.	Description	PU	SPR				Notes	Serial No.	
61	3					37	5906163.001	Stopper	1	-	-	-	D	32		
62	3	4		6		34	5906576.001	Foot	5	-	-	-	-	12,22,43,63,83		
63			5			62.2	5909043.001	Screw DIN7984-M6x20	10	-	-	-	-	42		
64		4			7	47	5911112.001	Power Supply	1	-	B	C	D	42,43,63,83		
65		4			7	43	5917072.001	Tab DIN46244-A4	10	-	-	-	-	42,43,63,83		
66	3	4		6		30.1	5945711.001	Roller	1	-	-	-	-	12,42,43		
67	3					9	5945713.001	Locating Pin	1	-	-	-	-	12,22,32		
68	3					5	5945716.001	Spindle	1	-	-	-	-	12,22,32		
69			5			58	5945724.001	Gear 12	1	-	-	-	-	12,22,32,42		
70	3	4				22	5945729.001	Bushing	1	-	-	-	-	12,22,32,42		
71	3	4				29.1	5945730.001	Lever	1	-	-	-	-	12,42		
72	3					33.1	5945733.001	Foot	1	-	-	-	-	12		
73	3					27.1	5945735.001	Roller	1	-	-	-	-	12		
74	3					7	5945737.001	Cable	1	-	-	-	-	12,22,32		
75		4				55	5945742.001	Foot	1	-	-	-	-	42		
76	3					33.2	5945754.001	Foot	1	-	-	-	-	22		
77	3					29.2	5945763.001	Lever	1	-	-	-	-	22		
78	3			6		30.2	5945765.001	Roller	1	-	-	-	-	22,63		
79	3					27.2	5945767.001	Roller	1	-	-	-	-	22		
80	3	4				6	5945865.001	Mounting Plate	1	-	-	-	-	12,22,32,42		
81	3					1	5945869.001	Cover	1	-	-	-	-	12,22,32		
82			5			65	5945880.001	Gear Motor	1	-	-	C	D	12,22,32,42		
83	3	4				16	5945881.001	Blind	1	-	-	-	-	12,22,32,42		
84	3					35	5945917.001	Foot	1	-	-	-	-	32		
85	3					33.3	5945918.001	Foot	1	-	-	-	-	32		
86	3			6		30.3	5948116.001	Roller	1	-	-	-	-	32,83		
87	3					27.3	5948118.001	Roller	1	-	-	-	-	32		
88	3					29.3	5948120.001	Lever	1	-	-	-	-	32		
89			5		8	67	5948130.001	Spring	1	-	-	-	-			
90		4				38	5948151.001	Cover	1	-	-	-	-	42		
91		4			7	49	5948154.001	Cover	1	-	-	-	-	42,43,63,83		
92		4			7	45	5948155.001	Distance Bolt	1	-	-	-	-	42,43,63,83		
93		4		6		52	5948156.001	Adapter Plate	1	-	-	-	-	42,43,63,83		
94		4		6		53.1	5948159.001	Roller	1	-	-	-	-	42,43		
95		4			7	44	5948163.001	Insulating Plate	1	-	-	-	-	42,43,63,83		
96		4			7	46	5948164.001	Kabel	1	-	-	-	-	42,43,63,83		
97		4			7	39	5948165.001	Power Input Module	1	-	-	C	D	42,43,63,83		
98		4				54	5948177.001	Foot	1	-	-	-	-	42		
99			6			53.2	5948181.001	Roller	1	-	-	-	-	63		
100			6			53.3	5948183.001	Roller	1	-	-	-	-	83		
101			5			66.1	5948190.001	Shaft	1	-	-	-	-	12,42		
102			5			66.2	5948192.001	Shaft	1	-	-	-	-	22		
103			5			66.3	5948194.001	Shaft	1	-	-	-	-	32		
104	3	4			7	26	5948197.001	PCB Control	1	-	B	C	D			
105				6		79	5948514.001	Mounting Plate	1	-	-	-	-	43,63,83		
106					8	104.1	5948522.001	Shaft	1	-	-	-	-	43		
107				6		92.1	5948527.001	Lever	1	-	-	-	-	43		
108			5			76	5948529.001	Wall Spacer	1	-	-	-	-	12,22,32,42		
109			6			82.1	5948531.001	Roller	1	-	-	-	-	43		
110					8	101	5948535.001	Gear 20	1	-	-	-	-	43,63,83		
111					7	95	5948536.001	Bolt	1	-	-	-	-	43,63,83		
112			6			84	5948537.001	Blind	1	-	-	-	-	43,63,83		
113			6			81.1	5948541.001	Foot	1	-	-	-	-	43		
114			6			78	5948545.001	Cover	1	-	-	-	-	43,63,83		
115			6			80.1	5948546.001	Foot	1	-	-	-	-	43		
116					8	104.2	5948561.001	Shaft	1	-	-	-	-	63		
117			6			92.2	5948562.001	Lever	1	-	-	-	-	63		
118			6			82.2	5948565.001	Roller	1	-	-	-	-	63		
119			6			81.2	5948566.001	Foot	1	-	-	-	-	63,83		
120			6			80.2	5948568.001	Foot	1	-	-	-	-	63,83		

PU Package unit

SPR Spare part recommendation

- | | | | |
|----|---------|---|--|
| 12 | ER1/210 | A | wearing parts and accessories |
| 22 | ER2/210 | B | recommended spare parts for quick repair |
| 32 | ER3/210 | C | recommended spare parts for distributors |
| 42 | ER4/210 | D | recommended spare parts for central stores |
| 43 | ER4/300 | | |
| 63 | ER6/300 | | |
| 83 | ER8/300 | | |

7 Spare Parts Index

11

Pos.	Figure/Page				No.	Part No.	Description	PU	SPR					Notes	Serial No.	
									from	to						
121			6		89	5948569.001	Foot	1	-	-	-	-	43,63,83			
122			6		85	5948572.001	Retainer	1	-	-	-	-	43,63,83			
123				8	104.3	5948581.001	Shaft	1	-	-	-	-	83			
124			6		92.3	5948582.001	Lever	1	-	-	-	-	83			
125			6		82.3	5948585.001	Roller	1	-	-	-	-	83			
126				8	103	5948590.001	Gear Motor	1	-	-	C	D	43,63,83			
127				8	105	5955078.001	Wall Spacer	1	-	-	-	-	43,63,83			
128		5		8	69	8910053.001	Square Nut M4 8mm	10	-	-	-	-				

8 Packaging/Accessories

Pos.	Figure/Page				No.	Part No.	Description	PU	SPR					Notes	Serial No.	
									from	to						
129					-	5550611.001	Power Cable Type E+F	1	-	-	-	-				
131					-	9109156.001	Packaging	1	-	-	-	D	22			
132					-	9109161.001	Packaging	1	-	-	-	D	32			
130					-	9109175.001	Packaging	1	-	-	-	D	12,42			
133					-	9109178.001	Packaging	1	-	-	-	D	43			
134					-	9109181.001	Packaging	1	-	-	-	D	63,83			

PU Package unit

SPR Spare part recommendation

- | | | | |
|----|---------|---|--|
| 12 | ER1/210 | A | wearing parts and accessories |
| 22 | ER2/210 | B | recommended spare parts for quick repair |
| 32 | ER3/210 | C | recommended spare parts for distributors |
| 42 | ER4/210 | D | recommended spare parts for central stores |
| 43 | ER4/300 | | |
| 63 | ER6/300 | | |
| 83 | ER8/300 | | |