

# Spare Parts List



Label Printer

# Hermes+ R

Made in Germany

## for the following products

Family	Type	
Hermes+	2R/300-2S	2R/600-2S
	2R/300-2	2R/300-3
	2R/600-2	2R/600-3
	4R/200-2	4R/200-3
	4R/300-2	4R/300-3
	4R/600-2	4R/600-3
	4.3R/200-2	4.3R/200-3
	4.3R/300-2	4.3R/300-3
	6R/200-2	6R/200-3
	6R/300-2	6R/300-3

## Table of Contents

1	Covering, Control Panel.....	3
2	Electronics, Power Supply .....	4
3	Print Unit - 1 .....	5
4	Print Unit - 2.....	6
5	Transport Unit .....	7
6	Motors, Gear .....	8
7	Belt Diagram .....	9
8	Pivot Arm .....	10
9	Label Unwinder Hermes -2/-2S .....	11
10	Label Unwinder Hermes -3 .....	12
11	Liner Rewinder.....	13
12	Ribbon Hubs .....	14
13	Spare Parts Index.....	15
14	Packaging/Accessories.....	20

**Edition:** 09/2020 - Part.-No. 9009041

### Copyright

This documentation as well as translation hereof are property of cab Produkttechnik GmbH & Co. KG.

The replication, conversion, duplication or divulgement of the whole manual or parts of it for other intentions than its original intended purpose demand the previous written authorization by cab.

### Editor

Regarding questions or comments please contact cab Produkttechnik GmbH & Co. KG.

### Topicality

Due to the constant further development of our products discrepancies between documentation and product can occur. Please check [www.cab.de](http://www.cab.de) for the latest update.

### Terms and conditions

Deliveries and performances are effected under the General conditions of sale of cab.

Germany  
**cab Produkttechnik GmbH & Co KG**  
 Karlsruhe  
 Phone +49 721 6626 0  
[www.cab.de](http://www.cab.de)

USA  
**cab Technology, Inc.**  
 Chelmsford, MA  
 Phone +1 978 250 8321  
[www.cab.de/us](http://www.cab.de/us)

Taiwan  
**cab Technology Co., Ltd.**  
 Taipei  
 Phone +886 (02) 8227 3966  
[www.cab.de/tw](http://www.cab.de/tw)

China  
**cab (Shanghai) Trading Co., Ltd.**  
 Guangzhou  
 Phone +86 (020) 2831 7358  
[www.cab.de/cn](http://www.cab.de/cn)

France  
**cab Technologies S.à.r.l.**  
 Niedermodern  
 Phone +33 388 722501  
[www.cab.de/fr](http://www.cab.de/fr)

Mexico  
**cab Technology, Inc.**  
 Juárez  
 Phone +52 656 682 4301  
[www.cab.de/es](http://www.cab.de/es)

China  
**cab (Shanghai) Trading Co., Ltd.**  
 Shanghai  
 Phone +86 (021) 6236 3161  
[www.cab.de/cn](http://www.cab.de/cn)

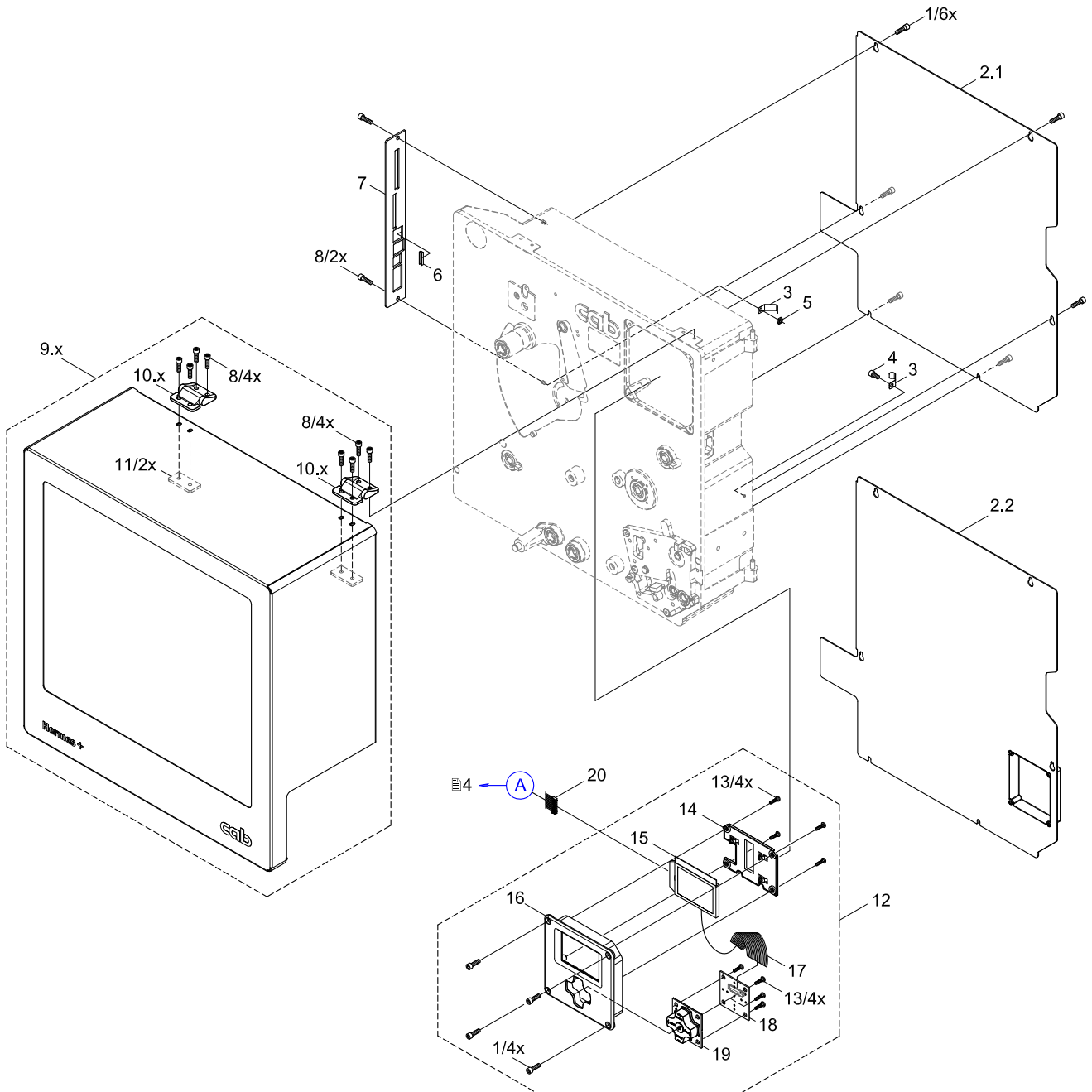
South Africa  
**cab Technology (Pty) Ltd.**  
 Randburg  
 Phone +27 11 886 3580  
[www.cab.de/za](http://www.cab.de/za)

# 1 Covering, Control Panel

No.	Part No.	Description	PU	Notes	Serial No.	
					from	to
1	5902241.001	Screw DIN7984-M4x10	10			
2.1	5955545.001	Cover	1	2-2/-2S		
2.2	5961296.001	Cover	1	2-3, 4-, 6-		
3	5961073.001	Spring	1			
4	5902571.001	Screw DIN7984-M4x6	10			
5	5902582.001	Nut DIN439-M4	10			
6	5954132.001	Strip	5			
7	5961207.001	Cover	1			
8	5902565.001	Screw DIN7984-M4x10	10			
9.1	5961190.001	Cover	1	2-2/-2S		
9.2	5961187.001	Cover	1	4-2		
9.3	5961196.001	Cover	1	6-2		
10.1	5906804.001	Hinge	1	2-2, 4-2		
10.2	5906956.001	Hinge	1	6-2		

No.	Part No.	Description	PU	Notes	Serial No.	
					from	to
11	5959732.001	Threaded Plate	1			
12	5960139.001	Control Panel	1			
13	5902414.001	Screw EJOT-PT-K30x12	10			
14	5955552.001	Guide	1			
15	5540868.001	LCD Display	1			
16	5955551.001	Chassis	1			
17	5917914.001	Cable Control Panel	1			
18	5955034.001	PCB Navi Button	1			
19	5540930.001	Navigator Pad	1			
20	5955687.001	Cable USB internal	1			

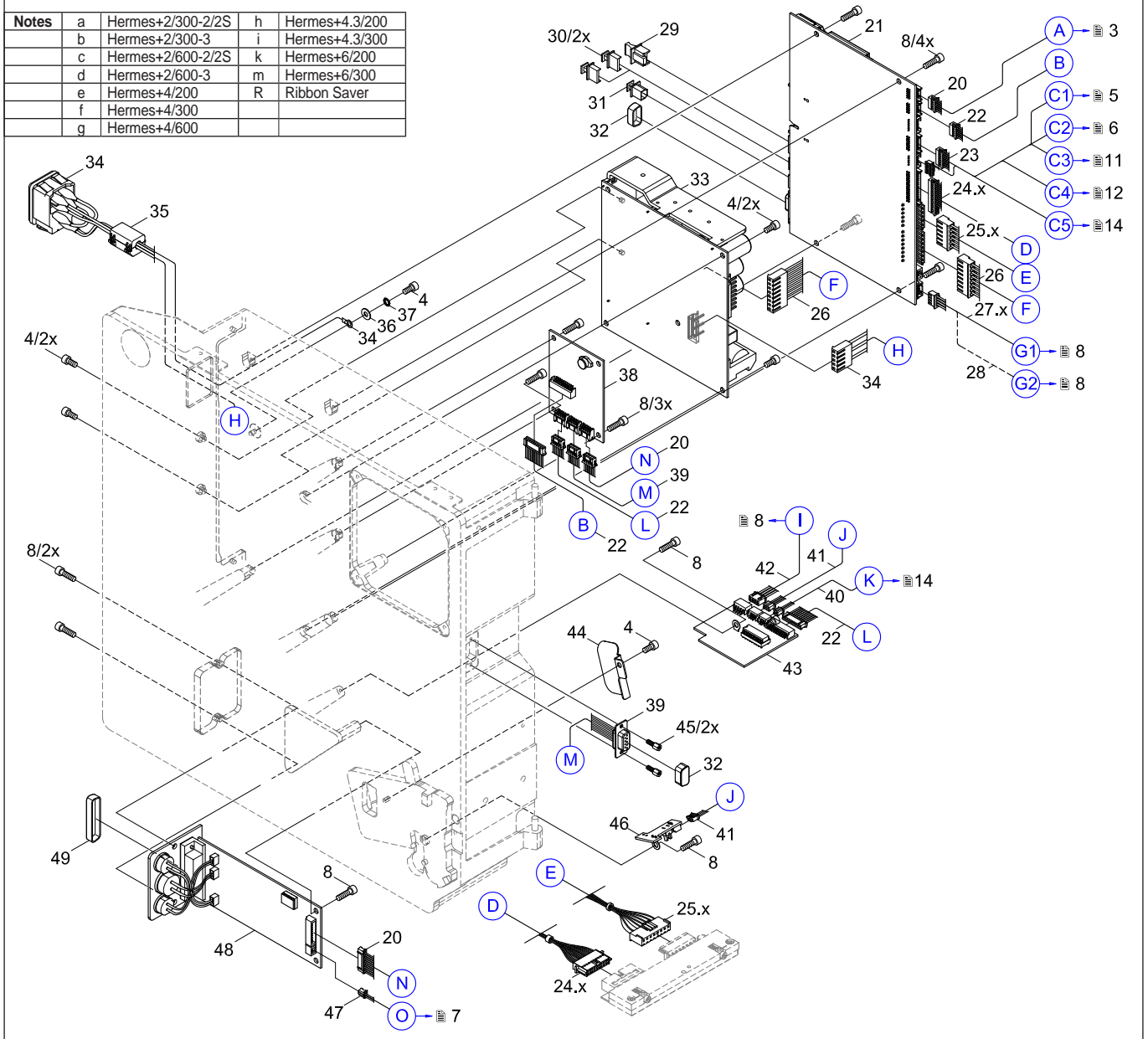
Notes	2-	Hermes+2...	-2S	Hermes+...-2S
	4-	Hermes+4/4.3...	-2	Hermes+...-2
	6-	Hermes+6...	-3	Hermes+...-3



No.	Part No.	Description	PU	Notes	Serial No.	
					from	to
4	5902571.001	Screw DIN7984-M4x6	10			
8	5902565.001	Screw DIN7984-M4x10	10			
20	5955687.001	Cable USB internal	1			
21	5551118.001	CPU X2	1			
22	5955035.001	Cable Display	1			
23	5961201.001	Cable Sensors	1			
24.1	5954293.001	Cable Printhead	1	ab		
24.2	5954067.001	Cable Printhead	1	cd		
24.3	5961297.001	Cable Printhead	1	efg		
24.4	5955811.001	Cable Printhead	1	hi		
24.5	5961338.001	Cable Printhead	1	km		
25.1	5954292.001	Cable Printhead	1	ab		
25.2	5954066.001	Cable Printhead	1	cdefg		
25.3	5954086.001	Cable Printhead	1	hi		
25.4	5954258.001	Cable Printhead	1	km		
26	5943107.001	Cable Power Supply	1			
27.2	5946208.001	Stepper Motor	1	c		
27.3	5961306.001	Stepper Motor	1	bdefhikm		
27.4	5961379.001	Stepper Motor	1	g		
28	5952587.001	Cable Motor	1	a		
29	5906190.001	Protection Cap	10			

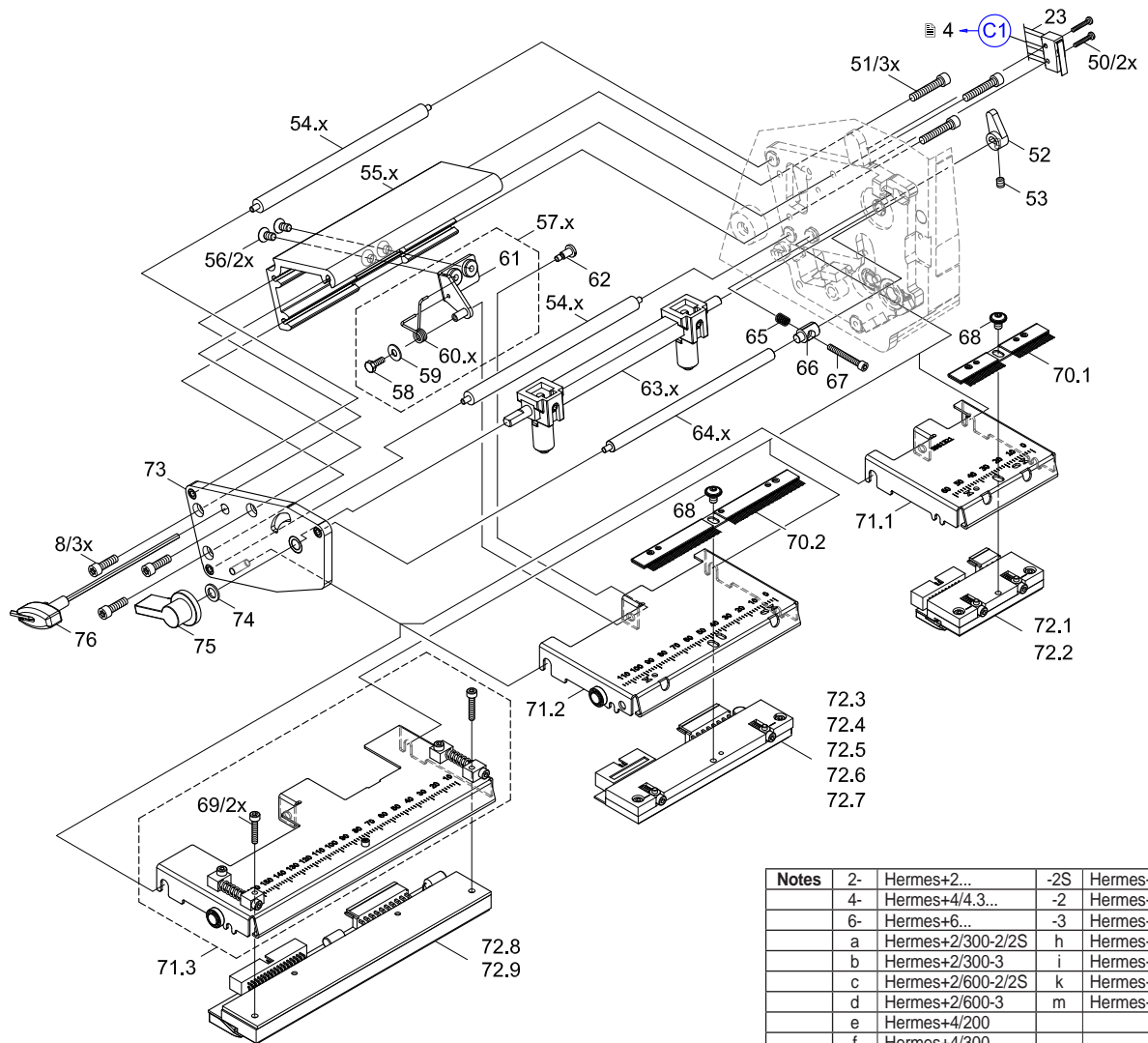
No.	Part No.	Description	PU	Notes	Serial No.	
					from	to
30	5906188.001	Protection Cap	1			
31	5906189.001	Protection Cap	10			
32	5906181.001	Protection Cap	10			
33	5956220.001	Power Supply	1			
34	5955046.001	Power Input Module	1			
35	5906082.001	Ferrite	1			
36	5903033.001	Washer DIN125-A4.3	10			
37	5903011.001	Toothed Washer DIN6797-A4.3	10			
38	5956165.001	PCB USB Hub	1			
39	5956244.001	Cable Periphery	1			
40	5956247.001	Magnetic Clutch	1	R		
41	5955042.001	Cable Present Sensor	1	R		
42	5946206.001	Stepper Motor	1	R		
43	5961082.001	PCB Ribbon Saver	1	R		
44	5961110.001	Guide	1			
45	5902141.001	Bolt with Nut M3	10			
46	5955384.001	PCB Saver Sensor	1	R		
47	5961044.001	Switch	1			
48	5961676.001	PCB IO Interface	1			
49	5906187.001	Protection Cap	1			

Notes	a	Hermes+2/300-2/2S	h	Hermes+4.3/200
	b	Hermes+2/300-3	i	Hermes+4.3/300
	c	Hermes+2/600-2/2S	k	Hermes+6/200
	d	Hermes+2/600-3	m	Hermes+6/300
	e	Hermes+4/200	R	Ribbon Saver
	f	Hermes+4/300		
	g	Hermes+4/600		



No.	Part No.	Description	PU	Notes	Serial No.	
					from	to
8	5902565.001	Screw DIN7984-M4x10	10			
23	5961201.001	Cable Sensors	1			
50	5902345.001	Screw DIN7985-M2x12	10			
51	5902572.001	Screw DIN7984 M4x16	10			
52	5961130.001	Switch Lever	1			
53	5904513.001	Set Screw DIN913-M4x5	10			
54.1	5954275.001	Roller	1	2-		
54.2	5954044.001	Roller	1	4-		
54.3	5954242.001	Roller	1	6-		
55.1	5961021.001	Profile	1	2-		
55.2	5955594.001	Profile	1	4-		
55.3	5961204.001	Profile	1	6-		
56	5902573.001	Screw DIN7991-M4x8	10			
57.1	5955633.001	Bracket	1	2-,4-		
57.2	5961582.001	Bracket	1	6-		
58	5902845.001	Screw DIN933-M3x6	10			
59	5903122.001	Washer DIN125-A4.3	10			
60.1	5954057.001	Spring	1	2-,4-		
60.2	5954239.001	Spring	1	6-		
61	5955634.001	Bracket	1			
62	5902145.001	Screw DIN923-M3x6	10			
63.1	5961311.001	Printhead Locking System	1	2-		
63.2	5959468.001	Printhead Locking System	1	4-		
63.3	5956361.001	Printhead Locking System	1	6-		
64.1	5984325.001	Roller Ribbon	1	2-		

No.	Part No.	Description	PU	Notes	Serial No.	
					from	to
64.2	5977536.001	Roller Ribbon	1	4-		
64.3	5984348.001	Roller Ribbon	1	6-		
65	5906136.001	Spring	5			
66	5954060.001	Pivot Arm	1			
67	5902011.001	Screw DIN912-M3x20	10			
68	5902817.001	Screw sim. ISO7380-M4x6	10	2-,4-		
69	5902474.001	Screw DIN912-M3x16	10	6-		
70.1	5961574.001	Antistatic Brush	1	2-		
70.2	5961575.001	Antistatic Brush	1	4-		
71.1	5961321.001	Printhead Mounting Bracket	1	2-		
71.2	5956343.001	Printhead Mounting Bracket	1	4-		
71.3	5956359.001	Printhead Mounting Bracket	1	6-		
72.1	5954105.001	Printhead 2/300	1	ab		
72.2	5958686.001	Printhead 2/600	1	cd		
72.3	5954081.001	Printhead 4/203	1	e		
72.4	5954072.001	Printhead 4/300	1	f		
72.5	5954077.001	Printhead 4/600	1	g		
72.6	5954085.001	Printhead 4.3/203	1	h		
72.7	5954089.001	Printhead 4.3/300	1	i		
72.8	5954217.001	Printhead 6/203	1	k		
72.9	5956322.001	Printhead 6/300	1	m		
73	5961128.001	Side Plate	1			
74	5903079.001	Washer DIN988-6x10x1.0	10			
75	5955714.001	Lever	1			
76	5946113.001	Allen Key	1			

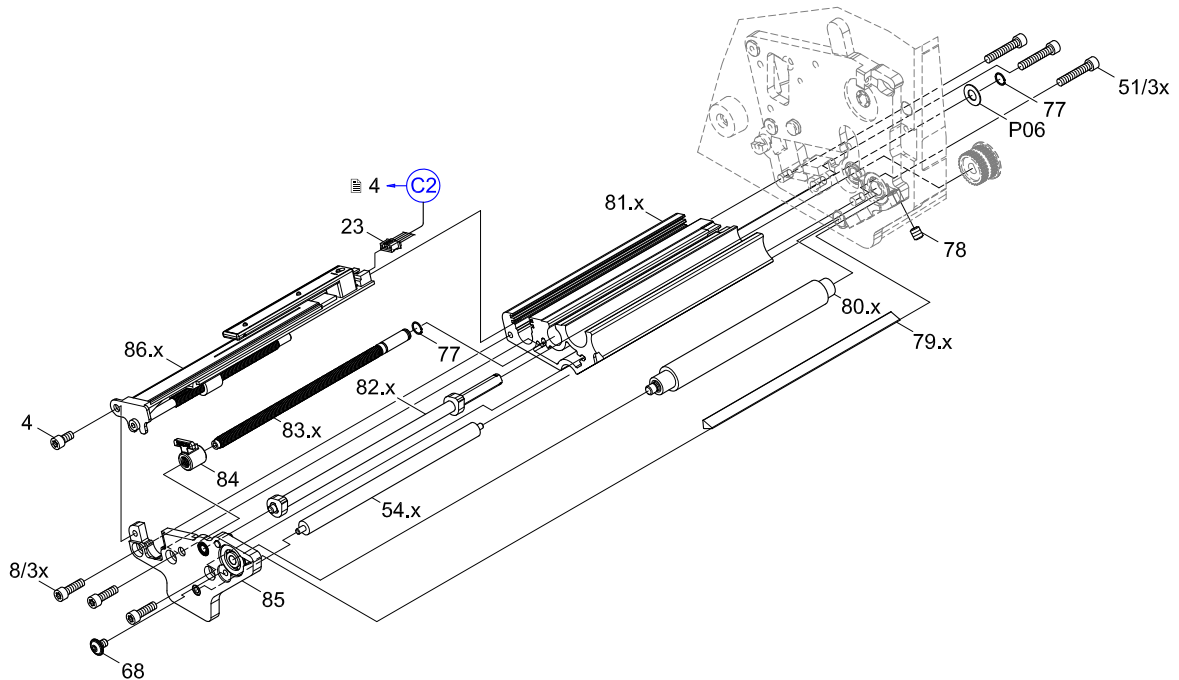


Notes	2-	Hermes+2...	-2S	Hermes+...-2S
	4-	Hermes+4/4.3...	-2	Hermes+...-2
	6-	Hermes+6...	-3	Hermes+...-3
	a	Hermes+2/300-2/2S	h	Hermes+4.3/200
	b	Hermes+2/300-3	i	Hermes+4.3/300
	c	Hermes+2/600-2/2S	k	Hermes+6/200
	d	Hermes+2/600-3	m	Hermes+6/300
	e	Hermes+4/200		
	f	Hermes+4/300		
	g	Hermes+4/600		

No.	Part No.	Description	PU	Notes	Serial No.	
					from	to
4	5902571.001	Screw DIN7984-M4x6	10			
8	5902565.001	Screw DIN7984-M4x10	10			
23	5961201.001	Cable Sensors	1			
51	5902572.001	Screw DIN7984 M4x16	10			
54.1	5954275.001	Roller	1	2-		
54.2	5954044.001	Roller	1	4-		
54.3	5954242.001	Roller	1	6-		
68	5902817.001	Screw sim. ISO7380-M4x6	10			
77	5903521.001	Snap Ring DIN471-A6	10			
78	5904556.001	Set Screw DIN913-M5x6	10			
79.1	5961023.001	Peel-off Edge	1	2-		
79.2	5956120.001	Peel-off Edge	1	4-		
79.3	5956288.001	Peel-off Edge	1	6-		
80.1	5954102.001	Drive Roller DR2	1	2-		
80.2	5954180.001	Drive Roller DR4	1	4-		
80.3	5954245.001	Drive Roller DR6	1	6-		

No.	Part No.	Description	PU	Notes	Serial No.	
					from	to
81.1	5961323.001	Profile	1	2-		
81.2	5961132.001	Profile	1	4-		
81.3	5961330.001	Profile	1	6-		
82.1	5955607.001	Cam Axle	1	4-, R		
82.2	5961579.001	Cam Axle	1	6-, R		
83.1	5961258.001	Spindle	1	2-		
83.2	5955706.001	Spindle	1	4-		
83.3	5961227.001	Spindle	1	6-		
84	5955708.001	Guide	1			
85	5961109.001	Side Plate	1			
86.1	5961249.001	Label Sensor	1	2-		
86.2	5961136.001	Label Sensor	1	4-		
86.3	5961218.001	Label Sensor	1	6-		
P06	-	Washer DIN988-6x12x...	-	Set		
PS	5961571.001	Washer Set	1			

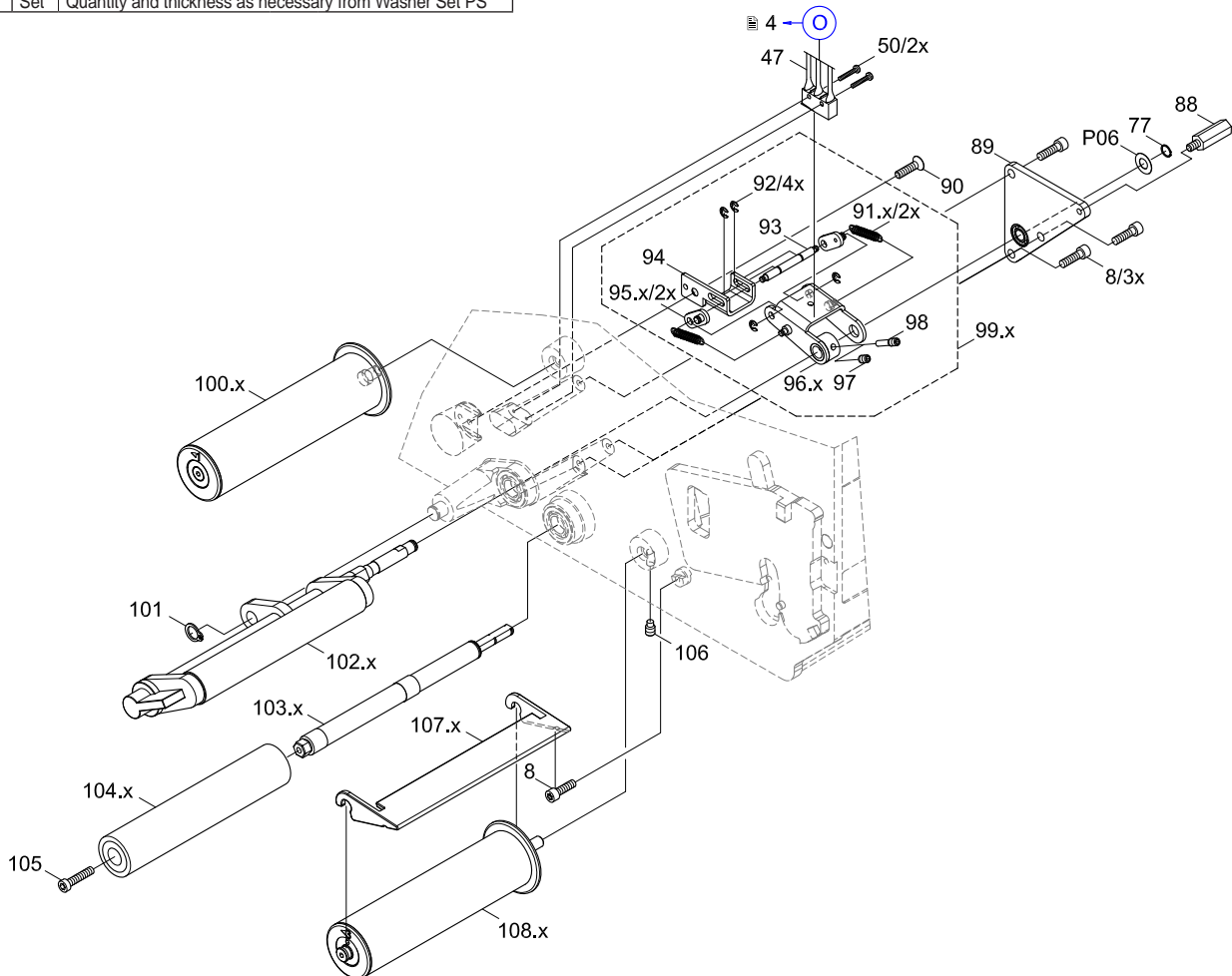
Notes	2-	Hermes+2...
	4-	Hermes+4/4.3...
	6-	Hermes+6...
	Set	Quantity and thickness as necessary from Washer Set PS



No.	Part No.	Description	PU	Notes	Serial No.	
					from	to
8	5902565.001	Screw DIN7984-M4x10	10			
47	5961044.001	Switch	1			
50	5902345.001	Screw DIN7985-M2x12	10			
77	5903521.001	Snap Ring DIN471-A6	10			
88	5955696.001	Distance Bolt M4x21	1			
89	5961115.001	Side Plate	1			
90	5902554.001	Screw DIN7991-M4x10	10			
91.1	5905017.001	Spring	1			4164
91.2	5906208.001	Spring	10			4165
92	5903507.001	E-Ring DIN6799-3.2	10			
93	5946458.001	Axle	1			
94	5961111.001	Guide	1			
95.1	5946454.001	Link	1			4164
95.2	5961270.001	Link	1			4165
96.1	5961113.001	Lever	1			4164
96.2	5961273.001	Lever	1			4165
97	5904512.001	Set Screw DIN916-M4x6	10			4164
98	5961267.001	Screw	1			4165
99.1	5961114.001	Locking System	1			4164
99.2	5961266.001	Locking System	1			4165
100.1	5961358.001	Belt Roller	1	2-2S		
100.2	5961312.001	Belt Roller	1	2-2/3		
100.3	5961124.001	Belt Roller	1	4-		
100.4	5961331.001	Belt Roller	1	6-		
101	5903516.001	Snap Ring DIN471-8x0.8	10			
102.1	5961288.001	Shaft	1	2-		

No.	Part No.	Description	PU	Notes	Serial No.	
					from	to
102.2	5955619.001	Shaft	1	4-		4266
102.3	5961269.001	Shaft	1	4-	4267	
102.4	5961223.001	Shaft	1	6-		
103.1	5961013.001	Axle	1	2-		
103.2	5955598.001	Axle	1	4-		
103.3	5961221.001	Axle	1	6-		
104.1	5961015.001	Roller ZR2	1	2-		
104.2	5955638.001	Roller ZR4	1	4-		4266
104.3	5961298.001	Roller ZR4	1	4-	4267	
104.4	5961220.001	Roller ZR6	1	6-		
105	5902562.001	Screw DIN7984 M4x14	10			
106	5904570.001	Set Screw DIN915-M5x8	10			
107.1	5961352.001	Guide	1	2-2S		
107.2	5961024.001	Guide	1	2-2/3		
107.3	5955674.001	Guide	1	4-		
107.4	5961215.001	Guide	1	6-		
108.1	5961359.001	Roller	1	2-2S		5349
108.2	5961464.001	Roller	1	2-2S		5350
108.3	5961318.001	Roller	1	2-2/3		5349
108.4	5961465.001	Roller	1	2-2/3		5350
108.5	5961122.001	Roller	1	4-		5349
108.6	5961467.001	Roller	1	4-		5350
108.7	5961336.001	Roller	1	6-		5349
108.8	5961469.001	Roller	1	6-		5350
P06	-	Washer DIN988-6x12x...	-	Set		
PS	5961571.001	Washer Set	1			

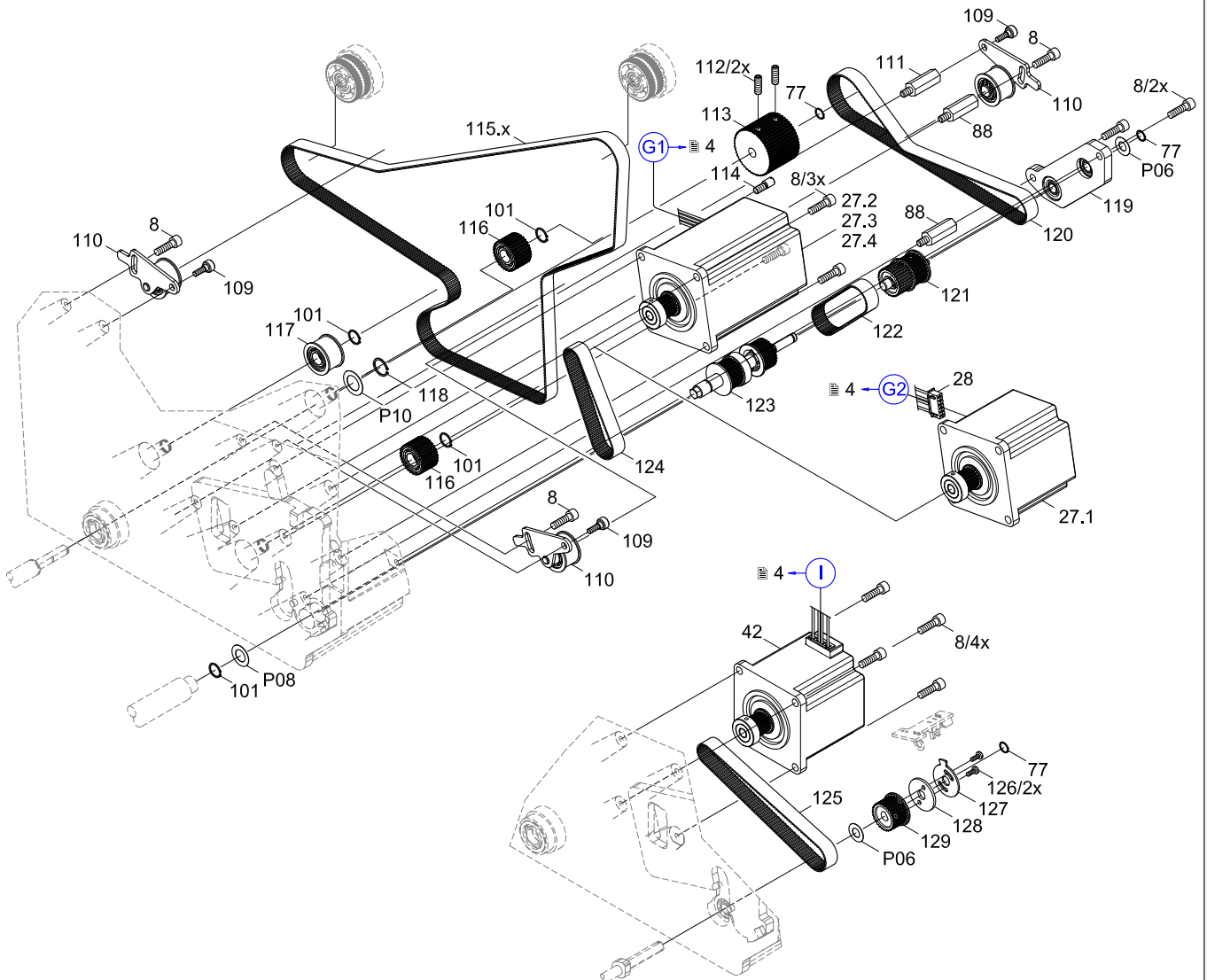
Notes	2-	Hermes+2...	-2S	Hermes+...-2S
	4-	Hermes+4/4.3...	-2	Hermes+...-2
	6-	Hermes+6...	-3	Hermes+...-3
	Set	Quantity and thickness as necessary from Washer Set PS		



No.	Part No.	Description	PU	Notes	Serial No.	
					from	to
8	5902565.001	Screw DIN7984-M4x10	10			
27.1	5965035.001	Stepper Motor	1	a		
27.2	5946208.001	Stepper Motor	1	c		
27.3	5961306.001	Stepper Motor	1	bdefhikm		
27.4	5961379.001	Stepper Motor	1	g		
28	5952587.001	Cable Motor	1	a		
42	5946206.001	Stepper Motor	1	R		
77	5903521.001	Snap Ring DIN471-A6	10			
88	5955696.001	Distance Bolt M4x21	1			
101	5903516.001	Snap Ring DIN471-8x0.8	10			
109	5956188.001	Screw	1			
110	5956257.001	Belt Tension Bracket	1			
111	5955695.001	Distance Bolt M4x21	1			
112	5904540.001	Set Screw DIN913-M4x12	10			
113	5962347.001	Gear 48	1			
114	5953788.001	Eccentric	1			
115.1	5906901.001	Belt 434MXL 037	1	-2/-2S		
115.2	5906923.001	Belt 464MXL 037	1	-3		
116	5959913.001	Gear 30	1			
117	5956271.001	Belt Roller	1			
118	5903527.001	Snap Ring DIN471-10x1	10			
119	5961126.001	Side Plate	1			

No.	Part No.	Description	PU	Notes	Serial No.	
					from	to
120	5906900.001	Belt 184MXL 037	1			
121	5955681.001	Shaft	1			
122	5905567.001	Belt 68MXL 037	1			
123	5955604.001	Shaft	1			
124	5905720.001	Belt 80MXL 037	1			
125	5905857.001	Belt 120MXL 037	1	R		
126	5902129.001	Screw EJOT-PT-KB22x6	10	R		
127	5955610.001	Clock Wheel	1	R		
128	5955719.001	Washer	1	R		
129	5946238.001	Gear 29	1	R		
P06	-	Washer DIN988-6x12x...	-	Set		
P08	-	Washer DIN988-8x14x...	-	Set		
P10	-	Washer DIN988-10x16x...	-	Set		
PS	5961571.001	Washer Set	1			

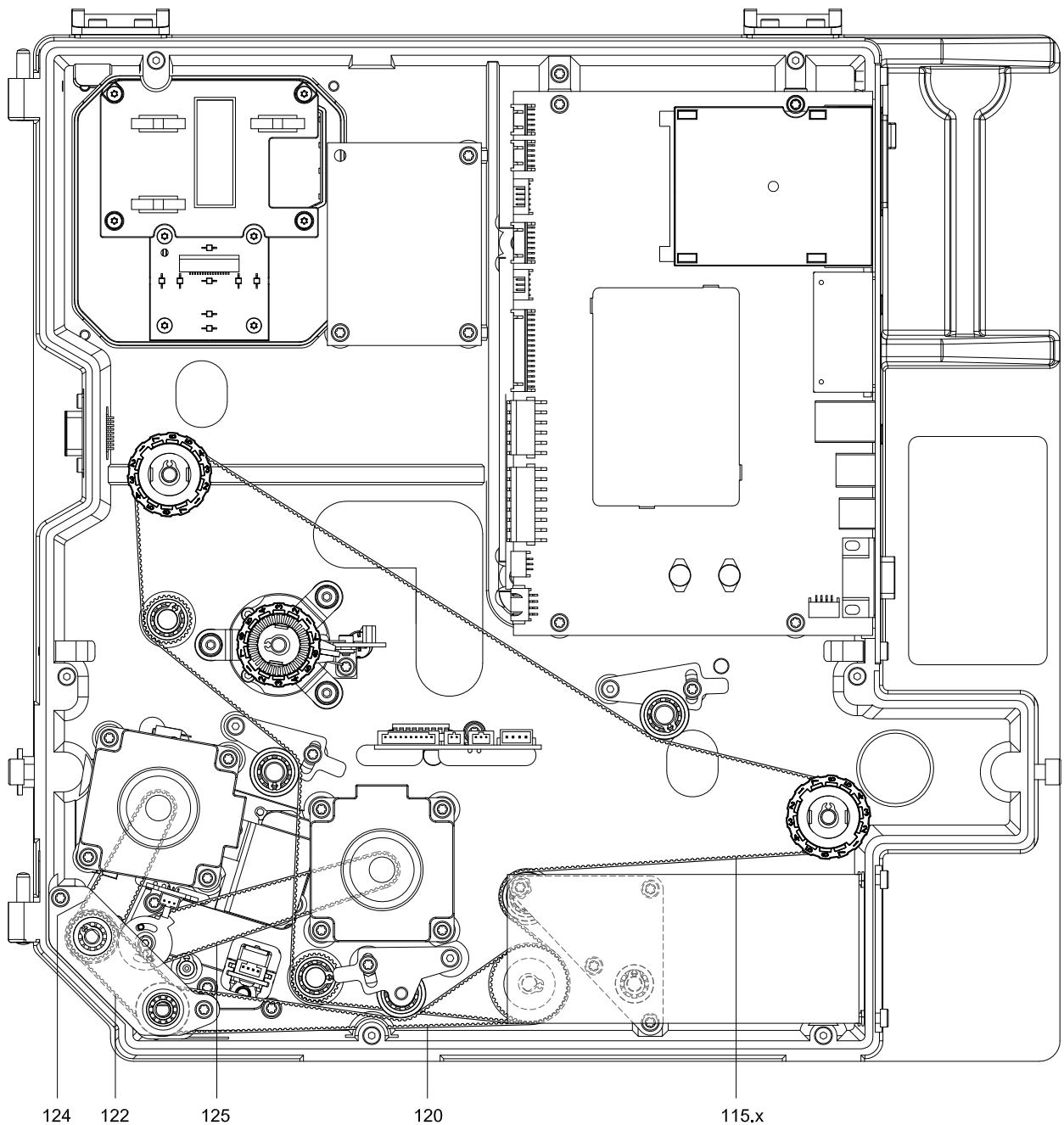
Notes	-2	Hermes+...-2	-2S	Hermes+...-2S
	-3	Hermes+...-3	R	Ribbon Saver
	a	Hermes+2/300-2/2S	g	Hermes+4/600
	b	Hermes+2/300-3	h	Hermes+4.3/200
	c	Hermes+2/600-2/2S	i	Hermes+4.3/300
	d	Hermes+2/600-3	k	Hermes+6/200
	e	Hermes+4/200	m	Hermes+6/300
	f	Hermes+4/300		
Set	Quantity and thickness as necessary from Washer Set PS			



# 7 Belt Diagram

No.	Part No.	Description	PU	Notes	Serial No.	
					from	to
115.1	5906901.001	Belt 434MXL 037	1	-2/-2S		
115.2	5906923.001	Belt 464MXL 037	1	-3		
120	5906900.001	Belt 184MXL 037	1			
122	5905567.001	Belt 68MXL 037	1			
124	5905720.001	Belt 80MXL 037	1			
125	5905857.001	Belt 120MXL 037	1	R		

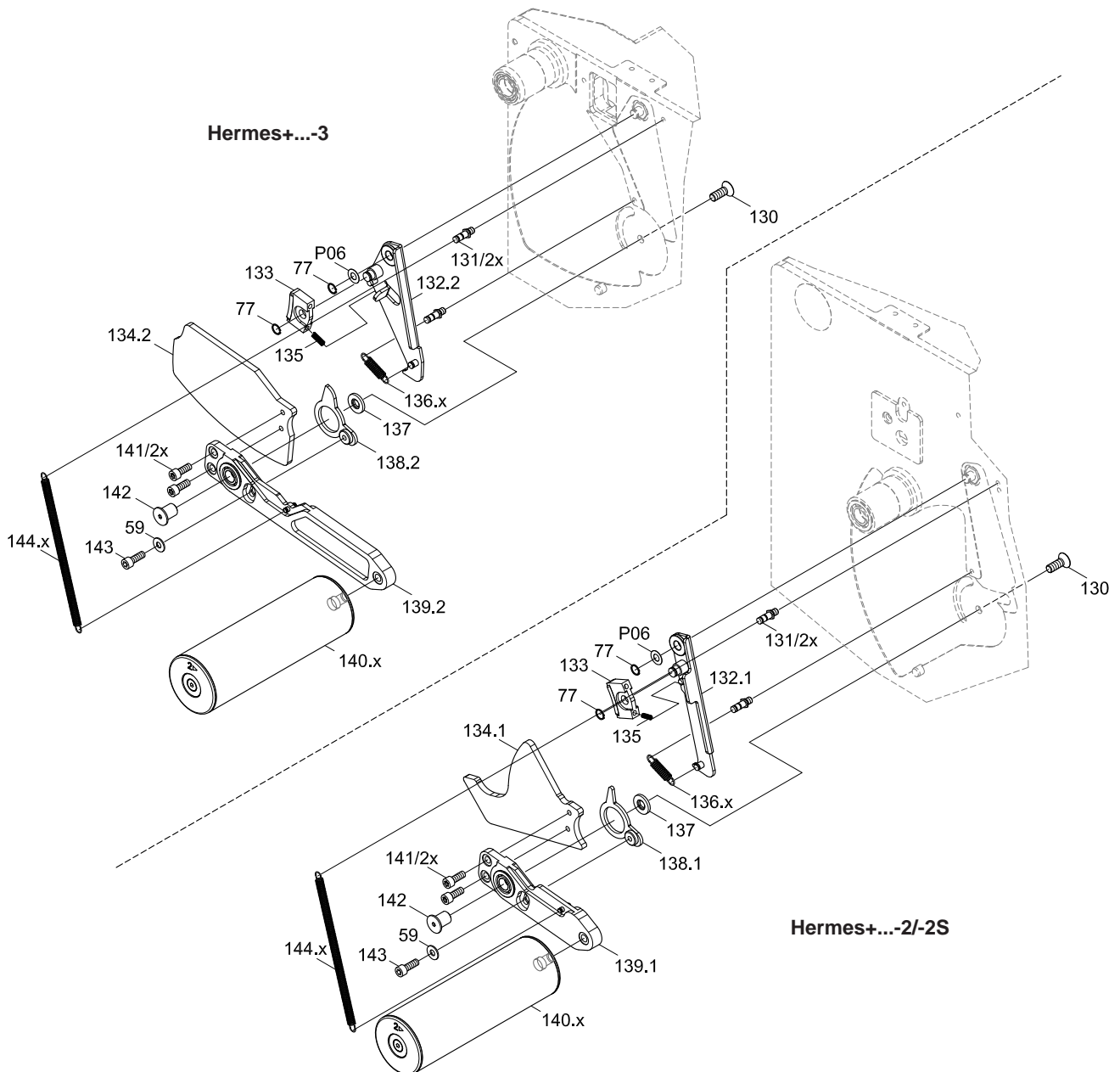
Notes	-2S	Hermes+...-2S
	-2	Hermes+...-2
	-3	Hermes+...-3
	R	Ribbon Saver



No.	Part No.	Description	PU	Notes	Serial No.	
					from	to
59	5903122.001	Washer DIN125-A4.3	10			
77	5903521.001	Snap Ring DIN471-A6	10			
130	5902240.001	Screw DIN7991-M5x14	10			
131	5955665.001	Spring Bolt	1			
132.1	5961117.001	Brake Lever	1	-2/-2S		
132.2	5961150.001	Brake Lever	1	-3		
133	5961009.001	Brake Plate	1			
134.1	5955746.001	Pendulum	1	-2/-2S		
134.2	5961049.001	Pendulum	1	-3		
135	5906132.001	Spring	10			
136.1	5906191.001	Spring	1	-2, 2-3		
136.2	5905008.001	Spring	5	4-3, 6-3		
137	5955676.001	Ring	1			
138.1	5961098.001	Pivot Arm	1			
138.2	5961698.001	Pivot Arm	1			

No.	Part No.	Description	PU	Notes	Serial No.	
					from	to
139.1	5955654.001	Lever	1	-2/-2S		
139.2	5961047.001	Lever	1	-3		
140.1	5961317.001	Belt Roller	1	2-		
140.2	5961099.001	Roller	1	4-		
140.3	5961337.001	Belt Roller	1	6-		
141	5902837.001	Screw DIN7984-M4x8	10			
142	5955668.001	Bolt	1			
143	5902489.001	Screw DIN7984-M4x8	10			
144.1	5906110.001	Spring	1	-2, 2-3		
144.2	5906197.001	Spring	1	4-3, 6-3		
P06	-	Washer DIN988-6x12x...	-	Set		
PS	5961571.001	Washer Set	1			

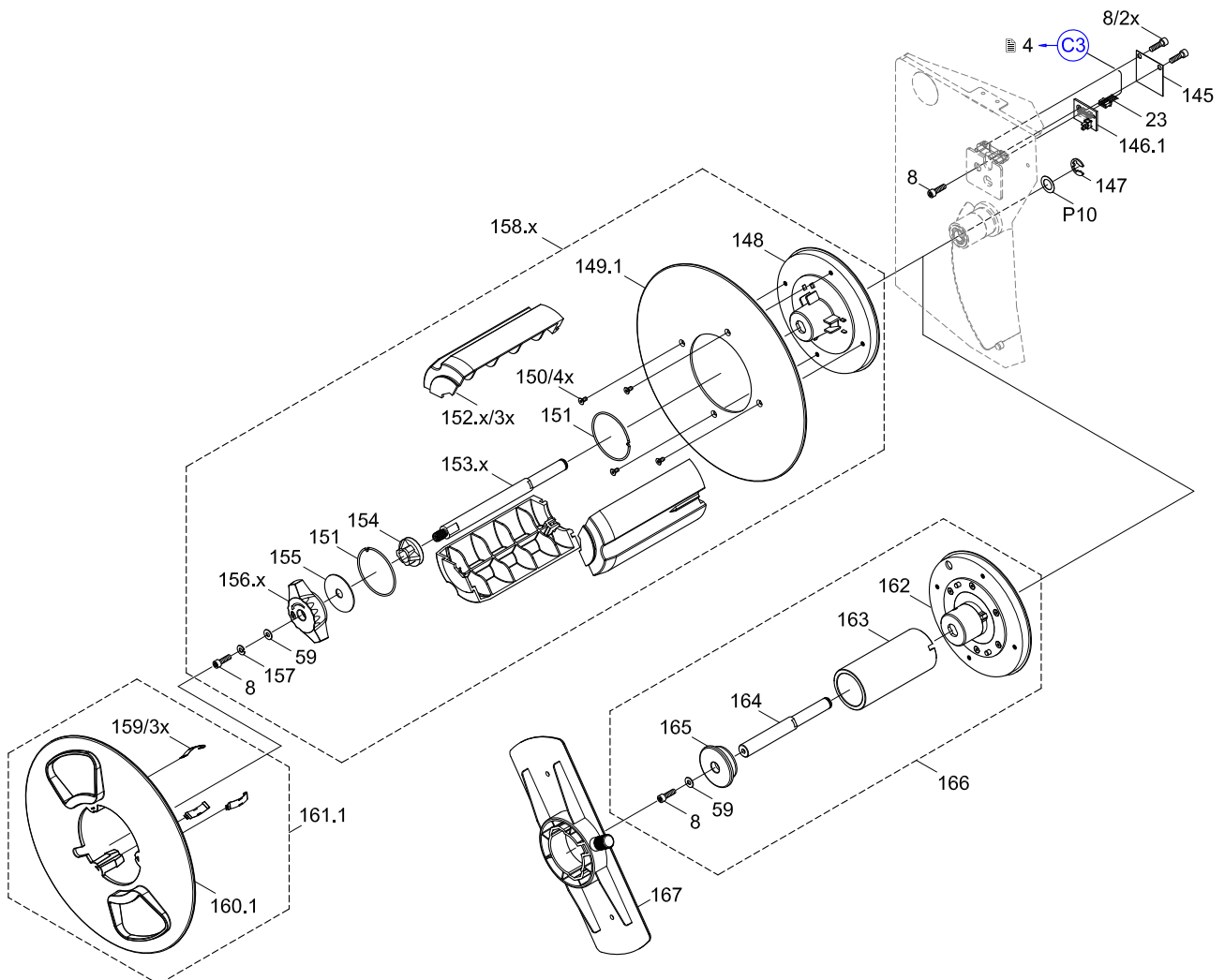
Notes	2-	Hermes+2...	-2S	Hermes+...-2S
	4-	Hermes+4/4.3...	-2	Hermes+...-2
	6-	Hermes+6...	-3	Hermes+...-3
	Set	Quantity and thickness as necessary from Washer Set PS		



No.	Part No.	Description	PU	Notes	Serial No.	
					from	to
8	5902565.001	Screw DIN7984-M4x10	10			
23	5961201.001	Cable Sensors	1			
59	5903122.001	Washer DIN125-A4.3	10			
145	5955683.001	Plate	1	-2/-2S		
146.1	5954024.001	Ribbon Sensor	1	-2		
147	5903549.001	E-Ring DIN6799-8	10			
148	5958960.001	Cone	1	-2		
149.1	5958963.001	Wall Spacer	1	-2		
150	5902839.001	Screw DIN7991-M3x6	10	-2		
151	5958969.001	Snap Ring	1	-2		
152.1	5958956.001	Shell	1	2-2		
152.2	5958954.001	Shell	1	4-		
152.3	5958988.001	Shell	3	6-		
153.1	5961362.001	Shaft	1	2-2		
153.2	5961363.001	Shaft	1	4-2		
153.3	5961364.001	Shaft	1	6-2		
154	5958955.001	Cone	1	-2		
155	5961286.001	Washer	1	-2		

No.	Part No.	Description	PU	Notes	Serial No.	
					from	to
156.1	5958991.001	Set Knob	1			
156.2	5953822.001	Set Knob	1	-2	7190	7189
157	5903029.001	Lock Washer DIN127-B4	10	-2		
158.1	5961365.001	Unwinder	1	2-2		
158.2	5961366.001	Unwinder	1	4-2		
158.3	5961367.001	Unwinder	1	6-2		
159	5958977.001	Spring	1	-2		
160.1	5958976.001	Margin Stop	1	-2		
161.1	5958978.001	Margin Stop	1	-2		
162	5961396.001	Cone	1	-2S		
163	5958974.001	Retainer	1	-2S		
164	5958973.001	Shaft	1	2-2S		
165	5958975.001	Cap	1	-2S		
166	5958970.001	Unwinder	1	2-2S		
167	5537816.001	Flange	1	-2S		
P10	-	Washer DIN988-10x16x...	-	Set		
PS	5961571.001	Washer Set	1			

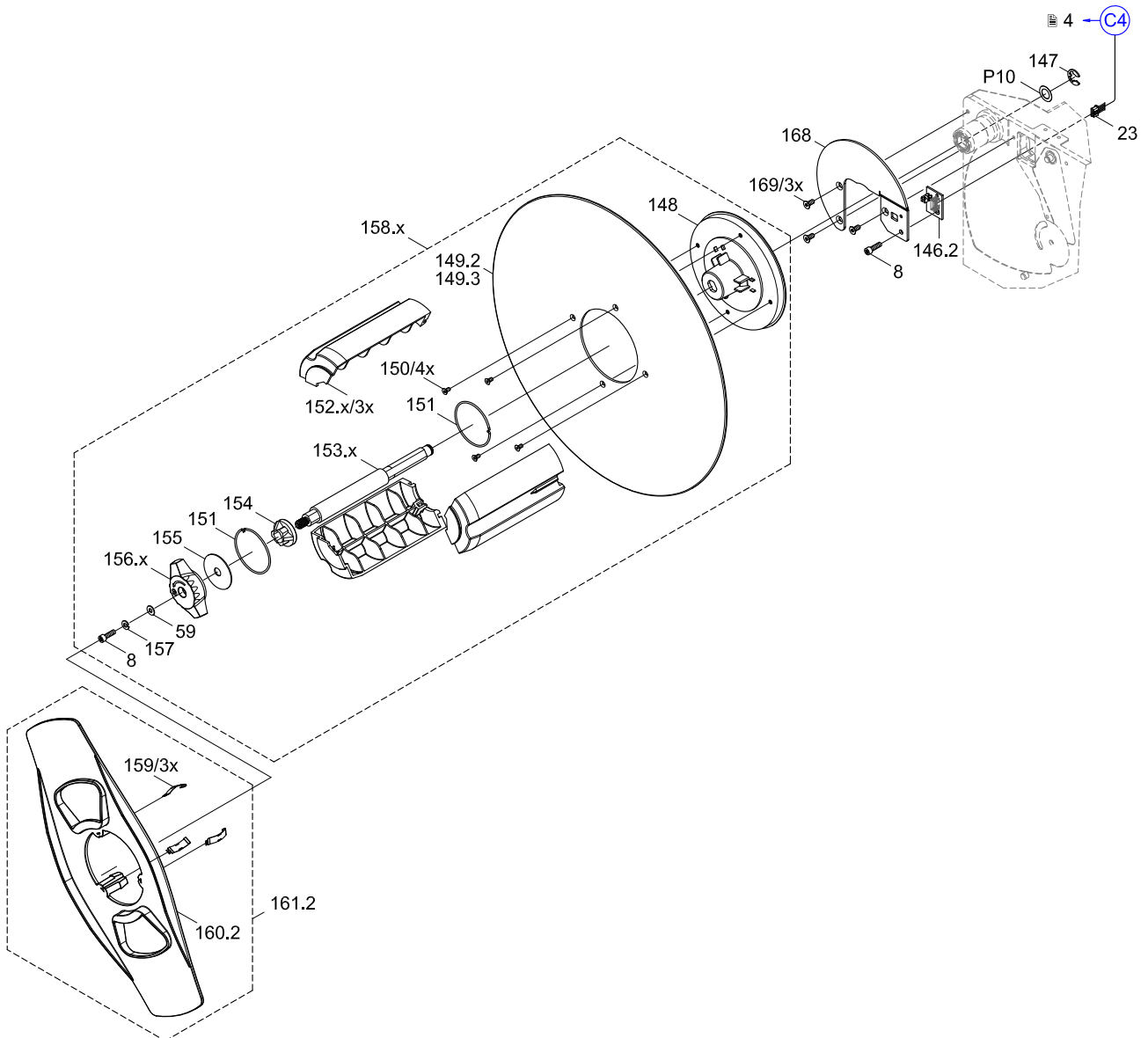
Notes	2-	Hermes+2...	-2S	Hermes+...-2S
	4-	Hermes+4/4.3...	-2	Hermes+...-2
	6-	Hermes+6...		
	Set	Quantity and thickness as necessary from Washer Set PS		



No.	Part No.	Description	PU	Notes	Serial No.	
					from	to
8	5902565.001	Screw DIN7984-M4x10	10			
23	5961201.001	Cable Sensors	1			
59	5903122.001	Washer DIN125-A4.3	10			
146.2	5961146.001	Material Sensor	1	-3		
147	5903549.001	E-Ring DIN6799-8	10			
148	5958960.001	Cone	1	-3		
149.2	5958966.001	Wall Spacer	1	2-3, 4-3		
149.3	5961619.001	Wall Spacer	1	6-3		
150	5902839.001	Screw DIN7991-M3x6	10	-3		
151	5958969.001	Snap Ring	1	-3		
152.1	5958956.001	Shell	1	2-3		
152.2	5958954.001	Shell	1	4-		
152.3	5958988.001	Shell	3	6-		
153.4	5961434.001	Shaft	1	2-3		
153.5	5958997.001	Shaft	1	4-3		
153.6	5961448.001	Shaft	1	6-3		
154	5958955.001	Cone	1	-3		

No.	Part No.	Description	PU	Notes	Serial No.	
					from	to
155	5961286.001	Washer	1	-3		
156.1	5958991.001	Set Knob	1			7189
156.2	5953822.001	Set Knob	1	-3	7190	
157	5903029.001	Lock Washer DIN127-B4	10	-3		
158.4	5961435.001	Unwinder	1	2-3		
158.5	5958992.001	Unwinder	1	4-3		
158.6	5961618.001	Unwinder	1	6-3		
159	5958977.001	Spring	1	-3		
160.2	5958983.001	Margin Stop	1	-3		
161.2	5958984.001	Margin Stop	1	-3		
168	5961152.001	Sensor Plate	1	-3		
169	5902304.001	Screw DIN7991-M4x6	10	-3		
P10	-	Washer DIN988-10x16x...	-	Set		
PS	5961571.001	Washer Set	1			

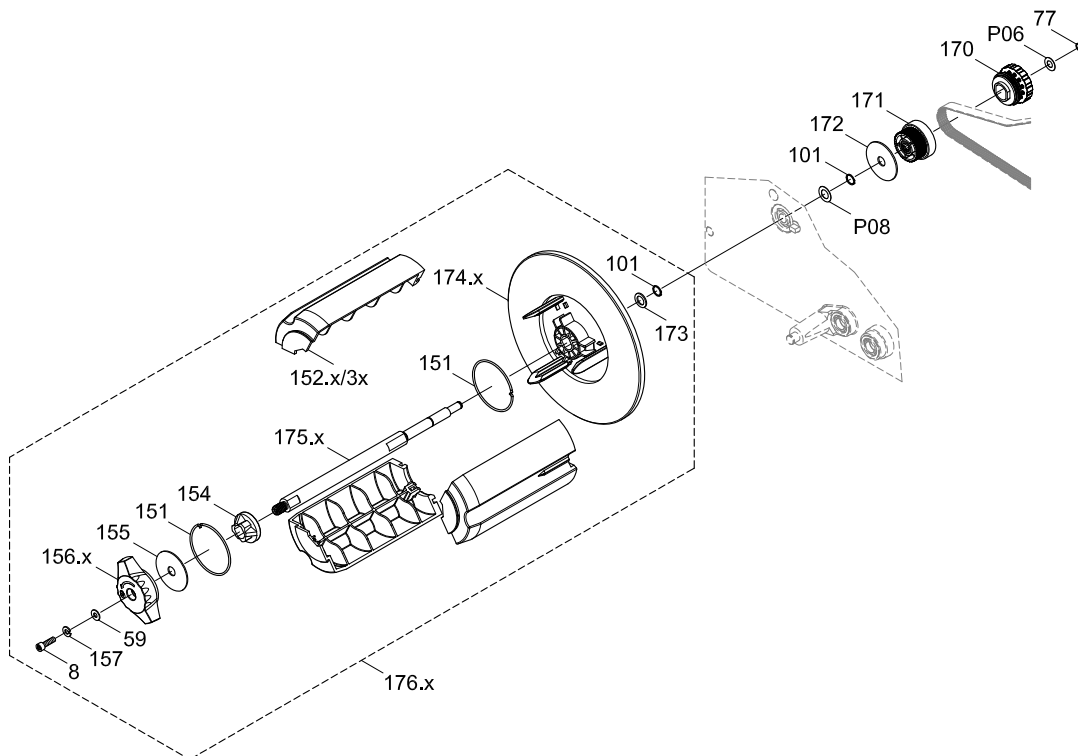
Notes	2- Hermes+2...	-3 Hermes+...-3
	4- Hermes+4/4.3...	
	6- Hermes+6...	
	Set	Quantity and thickness as necessary from Washer Set PS



No.	Part No.	Description	PU	Notes	Serial No.	
					from	to
8	5902565.001	Screw DIN7984-M4x10	10			
59	5903122.001	Washer DIN125-A4.3	10			
77	5903521.001	Snap Ring DIN471-A6	10			
101	5903516.001	Snap Ring DIN471-8x0.8	10			
151	5958969.001	Snap Ring	1			
152.1	5958956.001	Shell	1	2-		
152.2	5958954.001	Shell	1	4-		
152.3	5958988.001	Shell	3	6-		
154	5958955.001	Cone	1			
155	5961286.001	Washer	1			
156.1	5958991.001	Set Knob	1		7189	
156.2	5953822.001	Set Knob	1	-2	7190	
157	5903029.001	Lock Washer DIN127-B4	10			
170	5961289.001	Slipping Clutch	1			
171	5954115.001	Gear 42	1			
172	5903128.001	Washer 35x8.4x1.25	10			

No.	Part No.	Description	PU	Notes	Serial No.	
					from	to
173	5903020.001	Washer DIN988-8x14x0.5	10			
174.1	5961144.001	Cone	1	-2/2S		
174.2	5961154.001	Cone	1	-3		
175.1	5961233.001	Shaft	1	2-		
175.2	5958953.001	Shaft	1	4-		
175.3	5958946.001	Shaft	1	6-		
176.1	5961315.001	Hub	1	2-2/2S		
176.2	5961143.001	Hub	1	4-2		
176.3	5961334.001	Hub	1	6-2		
176.4	5961438.001	Hub	1	2-3		
176.5	5961153.001	Hub	1	4-3		
176.6	5961487.001	Hub	1	6-3		
P06	-	Washer DIN988-6x12x...	-	Set		
P08	-	Washer DIN988-8x14x...	-	Set		
PS	5961571.001	Washer Set	1			

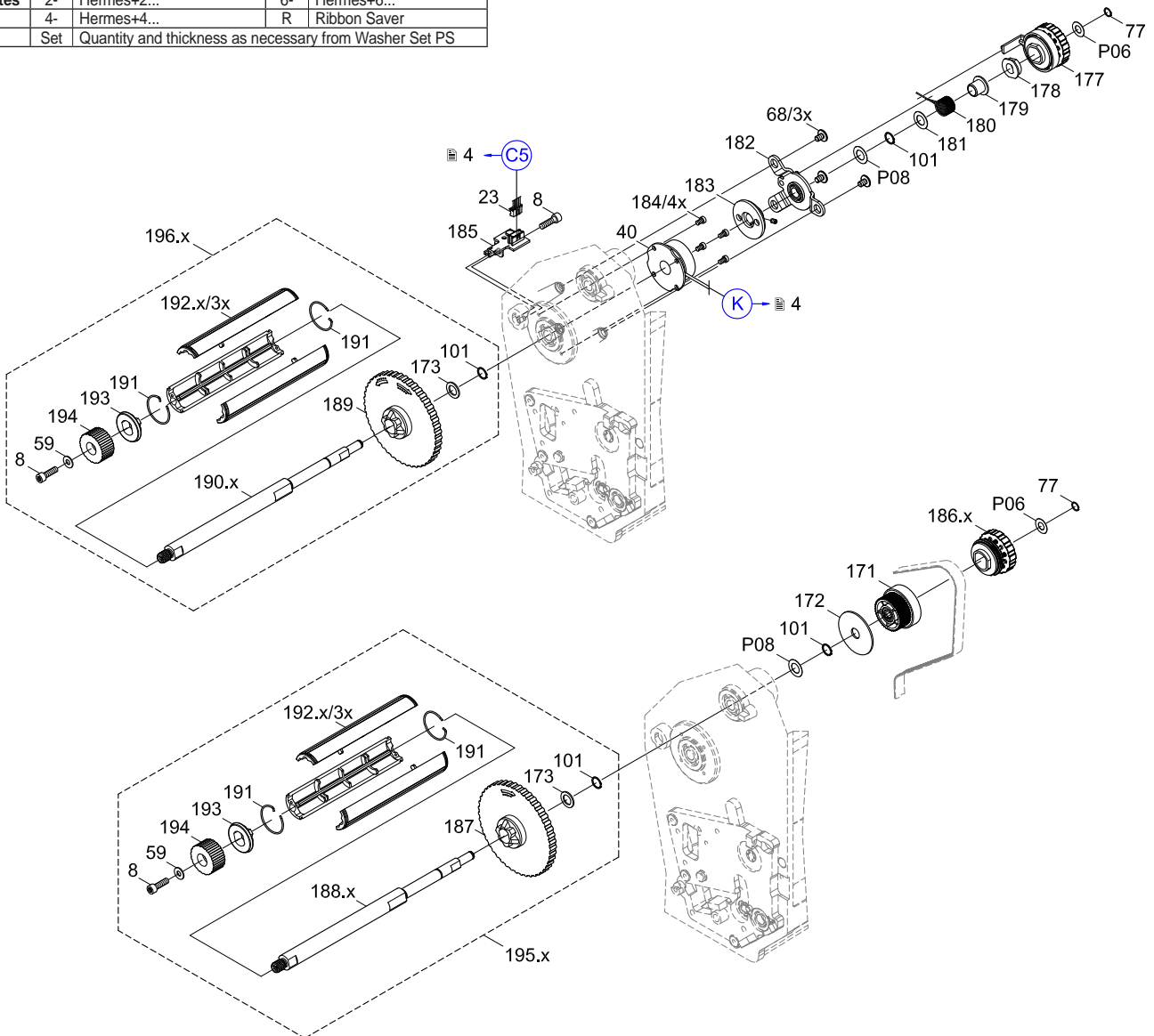
Notes	2-	Hermes+2...	-2S	Hermes+...-2S
	4-	Hermes+4/4.3...	-2	Hermes+...-2
	6-	Hermes+6...	-3	Hermes+...-3
	Set	Quantity and thickness as necessary from Washer Set PS		



No.	Part No.	Description	PU	Notes	Serial No.	
					from	to
8	5902565.001	Screw DIN7984-M4x10	10			
23	5961201.001	Cable Sensors	1			
40	5956247.001	Magnetic Clutch	1	R		
59	5903122.001	Washer DIN125-A4.3	10			
68	5902817.001	Screw sim. ISO7380-M4x6	10			
77	5903521.001	Snap Ring DIN471-A6	10			
101	5903516.001	Snap Ring DIN471-8x0.8	10			
171	5954115.001	Gear 42	1			
172	5903128.001	Washer 35x8.4x1.25	10			
173	5903020.001	Washer DIN988-8x14x0.5	10			
177	5954114.001	Brake	1			
178	5541172.001	Pivot Arm	1			
179	5901123.001	Plastic Bushing	10			
180	5954131.001	Spring	5			
181	5903088.001	Washer DIN988-8x14x0.3	10			
182	5956141.001	Counter Bearing	1			
183	5917772.001	Armature	1	R		
184	5902144.001	Screw DIN7984-M3x5	10	R		
185	5955671.001	Ribbon Sensor	1			
186.1	5961278.001	Slipping Clutch	1	2-		
186.2	5956347.001	Slipping Clutch	1	4,-6-		
187	5961141.001	Wall Spacer	1			

No.	Part No.	Description	PU	Notes	Serial No.	
					from	to
188.1	5961660.001	Axle	1	2-		
188.2	5961661.001	Axle	1	4-		
188.3	5961662.001	Axle	1	6-		
189	5961319.001	Wall Spacer	1			
190.1	5961027.001	Axle	1	2-		
190.2	5956203.001	Axle	1	4-		
190.3	5956319.001	Axle	1	6-		
191	5954124.001	Snap Ring	10			
192.1	5954220.001	Shell	3	2-		
192.2	5954122.001	Shell	1	4-		
192.3	5954221.001	Shell	3	6-		
193	5954121.001	Cone	1			
194	5943022.001	Knurled Knob	1			
195.1	5961313.001	Ribbon Take-up Hub	1	2-		
195.2	5961119.001	Ribbon Take-up Hub	1	4-		
195.3	5961332.001	Ribbon Take-up Hub	1	6-		
196.1	5961314.001	Ribbon Supply Hub	1	2-		
196.2	5961322.001	Ribbon Supply Hub	1	4-		
196.3	5961333.001	Ribbon Supply Hub	1	6-		
P06	-	Washer DIN988-6x12x...	-	Set		
P08	-	Washer DIN988-8x14x...	-	Set		
PS	5961571.001	Washer Set	1			

Notes	2-	Hermes+2...	6-	Hermes+6...
	4-	Hermes+4...	R	Ribbon Saver
	Set	Quantity and thickness as necessary from Washer Set PS		



Pos.	Figure/Page										No.	Part No.	Description	PU	SPR				Notes	Serial No.					
																				from	to				
1										11		167	5537816.001	Flange	1	-	-	-	-	-2S					
2	3											15	5540868.001	LCD Display	1	-	-	-	D						
3	3											19	5540930.001	Navigator Pad	1	-	-	-	-						
4												14	178	5541172.001	Pivot Arm	1	-	-	-	-					
5		4										21	5551118.001	CPU X2	1	-	B	C	D						
6												14	179	5901123.001	Plastic Bushing	10	-	-	-	D					
7			5									67	5902011.001	Screw DIN912-M3x20	10	-	-	-	-						
8						8						126	5902129.001	Screw EJOT-PT-KB22x6	10	-	-	-	-	R					
9		4										45	5902141.001	Bolt with Nut M3	10	-	-	-	-						
10												14	184	5902144.001	Screw DIN7984-M3x5	10	-	-	-	-	R				
11			5									62	5902145.001	Screw DIN923-M3x6	10	-	-	-	-						
12										10		130	5902240.001	Screw DIN7991-M5x14	10	-	-	-	-						
13	3											1	5902241.001	Screw DIN7984-M4x10	10	-	-	-	-						
14										12		169	5902304.001	Screw DIN7991-M4x6	10	-	-	-	-	-3					
15			5	7								50	5902345.001	Screw DIN7985-M2x12	10	-	-	-	-						
16	3											13	5902414.001	Screw EJOT-PT-K30x12	10	-	-	-	-						
17			5									69	5902474.001	Screw DIN912-M3x16	10	-	-	-	-	6-					
18										10		143	5902489.001	Screw DIN7984-M4x8	10	-	-	-	-						
19					7							90	5902554.001	Screw DIN7991-M4x10	10	-	-	-	-						
20					7							105	5902562.001	Screw DIN7984 M4x14	10	-	-	-	-						
21	3	4	5	6	7	8				11	12	13	14	8	5902565.001	Screw DIN7984-M4x10	10	-	-	-	-				
22	3	4		6										4	5902571.001	Screw DIN7984-M4x6	10	-	-	-	-				
23			5	6										51	5902572.001	Screw DIN7984 M4x16	10	-	-	-	-				
24			5											56	5902573.001	Screw DIN7991-M4x8	10	-	-	-	-				
25	3													5	5902582.001	Nut DIN439-M4	10	-	-	-	-				
26			5	6								14	68	5902817.001	Screw sim. ISO7380-M4x6	10	-	-	-	-	2,-4-				
27										10		141	5902837.001	Screw DIN7984-M4x8	10	-	-	-	-						
28										11	12		150	5902839.001	Screw DIN7991-M3x6	10	-	-	-	-	-2				
29			5											58	5902845.001	Screw DIN933-M3x6	10	-	-	-	-				
30		4												37	5903011.001	Toothed Washer DIN6797-A4.3	10	-	-	-	-				
31												13	14	173	5903020.001	Washer DIN988-8x14x0.5	10	-	-	-	-				
32										11	12	13		157	5903029.001	Lock Washer DIN127-B4	10	-	-	-	-	-2			
33		4												36	5903033.001	Washer DIN125-A4.3	10	-	-	-	-				
34			5											74	5903079.001	Washer DIN988-6x10x1.0	10	-	-	-	-				
35												14	181	5903088.001	Washer DIN988-8x14x0.3	10	-	-	-	-					
36			5							10	11	12	13	14	59	5903122.001	Washer DIN125-A4.3	10	-	-	-	-			
37												13	14	172	5903128.001	Washer 35x8.4x1.25	10	-	-	-	-				
38				7										92	5903507.001	E-Ring DIN6799-3.2	10	-	-	-	-				
39				7	8							13	14	101	5903516.001	Snap Ring DIN471-8x0.8	10	-	-	-	-				
40				6	7	8				10				13	14	77	5903521.001	Snap Ring DIN471-A6	10	-	-	-	-		
41					8									118	5903527.001	Snap Ring DIN471-10x1	10	-	-	-	-				
42												11	12		147	5903549.001	E-Ring DIN6799-8	10	-	-	-	-			
43				7										97	5904512.001	Set Screw DIN916-M4x6	10	-	-	-	-		4164		
44			5											53	5904513.001	Set Screw DIN913-M4x5	10	-	-	-	-				
45					8									112	5904540.001	Set Screw DIN913-M4x12	10	-	-	-	-				
46				6										78	5904556.001	Set Screw DIN913-M5x6	10	-	-	-	-				
47				7										106	5904570.001	Set Screw DIN915-M5x8	10	-	-	-	-				
48										10				136.2	5905008.001	Spring	5	-	-	-	-	4-3, 6-3			
49				7										91.1	5905017.001	Spring	1	-	-	-	-		4164		
50					8	9								122	5905567.001	Belt 68MXL 037	1	-	-	C	D				
51					8	9								124	5905720.001	Belt 80MXL 037	1	-	-	C	D				
52					8	9								125	5905857.001	Belt 120MXL 037	1	-	-	C	D	R			
53		4												35	5906082.001	Ferrite	1	-	-	-	-				
54										10				144.1	5906110.001	Spring	1	-	-	-	-	-2, 2-3			
55										10				135	5906132.001	Spring	10	-	-	-	-				
56			5											65	5906136.001	Spring	5	-	-	-	-				
57		4												32	5906181.001	Protection Cap	10	-	-	-	-				
58		4												49	5906187.001	Protection Cap	1	-	-	-	-				
59		4												30	5906188.001	Protection Cap	1	-	-	-	-				
60		4												31	5906189.001	Protection Cap	10	-	-	-	-				

PU Package unit

SPR Spare part recommendation

- 2- Hermes+2...
- 4- Hermes+4/4.3...
- 6- Hermes+6...
- 2S Hermes+...-2S
- 2 Hermes+...-2
- 3 Hermes+...-3
- R Ribbon Saver
- a Hermes+2/300-2/2S
- b Hermes+2/300-3
- c Hermes+2/600-2/2S
- d Hermes+2/600-3
- e Hermes+4/200
- f Hermes+4/300
- g Hermes+4/600

- h Hermes+4.3/200
- i Hermes+4.3/300
- k Hermes+6/200
- m Hermes+6/300

- A wearing parts and accessories
- B recommended spare parts for quick repair
- C recommended spare parts for distributors
- D recommended spare parts for central stores

Pos.	Figure/Page										No.	Part No.	Description	PU	SPR				Notes	Serial No.		
	1	2	3	4	5	6	7	8	9	10					from	to						
61	4										29	5906190.001	Protection Cap	10	-	-	-	-				
62									10		136.1	5906191.001	Spring	1	-	-	-	-	-2, 2-3			
63									10		144.2	5906197.001	Spring	1	-	-	-	-	4-3, 6-3			
64				7							91.2	5906208.001	Spring	10	-	-	-	-		4165		
65	3										10.1	5906804.001	Hinge	1	-	-	-	-	2-2, 4-2			
66					8	9					120	5906900.001	Belt 184MXL 037	1	-	-	C	D				
67					8	9					115.1	5906901.001	Belt 434MXL 037	1	-	-	C	D	-2/-2S			
68					8	9					115.2	5906923.001	Belt 464MXL 037	1	-	-	C	D	-3			
69	3										10.2	5906956.001	Hinge	1	-	-	-	-	6-2			
70											14	183	5917772.001	Armature	1	-	-	-	-	R		
71	3											17	5917914.001	Cable Control Panel	1	-	-	-	D			
72											14	194	5943022.001	Knurled Knob	1	-	-	-	D			
73	4											26	5943107.001	Cable Power Supply	1	-	-	C	D			
74		5										76	5946113.001	Allen Key	1	-	-	-	-			
75	4				8							42	5946206.001	Stepper Motor	1	-	-	C	D	R		
76	4				8							27.2	5946208.001	Stepper Motor	1	-	-	C	D	c		
77					8							129	5946238.001	Gear 29	1	-	-	-	-	R		
78					7							95.1	5946454.001	Link	1	-	-	-	-		4164	
79					7							93	5946458.001	Axle	1	-	-	-	-			
80	4				8							28	5952587.001	Cable Motor	1	-	-	-	D	a		
81					8							114	5953788.001	Eccentric	1	-	-	-	-			
82								11	12	13		156.2	5953822.001	Set Knob	1	-	-	-	-	-2	7190	
83								11				146.1	5954024.001	Ribbon Sensor	1	-	-	C	D	-2		
84		5	6									54.2	5954044.001	Roller	1	-	-	-	-	4-		
85		5										60.1	5954057.001	Spring	1	-	-	-	-	2-,4-		
86		5										66	5954060.001	Pivot Arm	1	-	-	-	-			
87	4											25.2	5954066.001	Cable Printhead	1	-	-	C	D	cdefg		
88	4											24.2	5954067.001	Cable Printhead	1	-	-	C	D	cd		
89		5										72.4	5954072.001	Printhead 4/300	1	A	B	C	D	f		
90		5										72.5	5954077.001	Printhead 4/600	1	A	B	C	D	g		
91		5										72.3	5954081.001	Printhead 4/203	1	A	B	C	D	e		
92		5										72.6	5954085.001	Printhead 4.3/203	1	A	B	C	D	h		
93	4											25.3	5954086.001	Cable Printhead	1	-	-	C	D	hi		
94		5										72.7	5954089.001	Printhead 4.3/300	1	A	B	C	D	i		
95			6									80.1	5954102.001	Drive Roller DR2	1	A	B	C	D	2-		
96		5										72.1	5954105.001	Printhead 2/300	1	A	B	C	D	ab		
97											14	177	5954114.001	Brake	1	-	B	C	D			
98										13	14	171	5954115.001	Gear 42	1	-	-	-	-			
99											14	193	5954121.001	Cone	1	-	-	-	D			
100											14	192.2	5954122.001	Shell	1	-	-	-	D	4-		
101											14	191	5954124.001	Snap Ring	10	-	B	C	D			
102											14	180	5954131.001	Spring	5	-	-	-	-			
103	3											6	5954132.001	Strip	5	-	-	-	-			
104			6									80.2	5954180.001	Drive Roller DR4	1	A	B	C	D	4-		
105		5										72.8	5954217.001	Printhead 6/203	1	A	B	C	D	k		
106											14	192.1	5954220.001	Shell	3	-	-	-	D	2-		
107											14	192.3	5954221.001	Shell	3	-	-	-	D	6-		
108		5										60.2	5954239.001	Spring	1	-	-	-	-	6-		
109		5	6									54.3	5954242.001	Roller	1	-	-	-	-	6-		
110			6									80.3	5954245.001	Drive Roller DR6	1	A	B	C	D	6-		
111	4											25.4	5954258.001	Cable Printhead	1	-	-	C	D	km		
112		5	6									54.1	5954275.001	Roller	1	-	-	-	-	2-		
113	4											25.1	5954292.001	Cable Printhead	1	-	-	C	D	ab		
114	4											24.1	5954293.001	Cable Printhead	1	-	-	C	D	ab		
115	3											18	5955034.001	PCB Navi Button	1	-	-	C	D			
116	4											22	5955035.001	Cable Display	1	-	-	C	D			
117	4											41	5955042.001	Cable Present Sensor	1	-	-	-	D	R		
118	4											34	5955046.001	Power Input Module	1	-	-	-	-			
119	4											46	5955384.001	PCB Saver Sensor	1	-	-	C	D	R		
120	3											2.1	5955545.001	Cover	1	-	-	-	-	2-2/-2S		

PU Package unit

SPR Spare part recommendation

- 2- Hermes+2...
- 4- Hermes+4/4.3...
- 6- Hermes+6...
- 2S Hermes+...-2S
- 2 Hermes+...-2
- 3 Hermes+...-3
- R Ribbon Saver

- a Hermes+2/300-2/2S
- b Hermes+2/300-3
- c Hermes+2/600-2/2S
- d Hermes+2/600-3
- e Hermes+4/200
- f Hermes+4/300
- g Hermes+4/600

- h Hermes+4.3/200
- i Hermes+4.3/300
- k Hermes+6/200
- m Hermes+6/300

- A wearing parts and accessories
- B recommended spare parts for quick repair
- C recommended spare parts for distributors
- D recommended spare parts for central stores

Pos.	Figure/Page										No.	Part No.	Description	PU	SPR				Notes	Serial No.	
																				from	to
121	3										16	5955551.001	Chassis	1	-	-	-	-			
122	3										14	5955552.001	Guide	1	-	-	-	-			
123		5									55.2	5955594.001	Profile	1	-	-	-	-	4-		
124			7								103.2	5955598.001	Axle	1	-	-	-	-	4-		
125				8							123	5955604.001	Shaft	1	-	-	-	-			
126		6									82.1	5955607.001	Cam Axle	1	-	-	-	D	4-, R		
127				8							127	5955610.001	Clock Wheel	1	-	-	-	-	R		
128			7								102.2	5955619.001	Shaft	1	-	-	-	-	4-	4266	
129		5									57.1	5955633.001	Bracket	1	-	-	-	-	2-,4-		
130		5									61	5955634.001	Bracket	1	-	-	-	-			
131			7								104.2	5955638.001	Roller ZR4	1	-	-	C	D	4-	4266	
132								10			139.1	5955654.001	Lever	1	-	-	-	-	-2/-2S		
133								10			131	5955665.001	Spring Bolt	1	-	-	-	-			
134								10			142	5955668.001	Bolt	1	-	-	-	-			
135										14	185	5955671.001	Ribbon Sensor	1	-	-	-	-			
136			7								107.3	5955674.001	Guide	1	-	-	-	-	4-		
137								10			137	5955676.001	Ring	1	-	-	-	-			
138				8							121	5955681.001	Shaft	1	-	-	-	-			
139								11			145	5955683.001	Plate	1	-	-	-	-	-2/-2S		
140	3	4									20	5955687.001	Cable USB internal	1	-	-	-	D			
141				8							111	5955695.001	Distance Bolt M4x21	1	-	-	-	-			
142				7	8						88	5955696.001	Distance Bolt M4x21	1	-	-	-	-			
143			6								83.2	5955706.001	Spindle	1	-	-	-	-	4-		
144			6								84	5955708.001	Guide	1	-	-	-	-			
145		5									75	5955714.001	Lever	1	-	-	-	-			
146				8							128	5955719.001	Washer	1	-	-	-	-	R		
147								10			134.1	5955746.001	Pendulum	1	-	-	-	-	-2/-2S		
148	4										24.4	5955811.001	Cable Printhead	1	-	-	-	D	hi		
149			6								79.2	5956120.001	Peel-off Edge	1	-	-	-	-	4-		
150										14	182	5956141.001	Counter Bearing	1	-	-	-	-			
151	4										38	5956165.001	PCB USB Hub	1	-	-	C	D			
152				8							109	5956188.001	Screw	1	-	-	-	-			
153										14	190.2	5956203.001	Axle	1	-	-	-	-	4-		
154	4										33	5956220.001	Power Supply	1	-	B	C	D			
155	4										39	5956244.001	Cable Periphery	1	-	-	-	D			
156	4									14	40	5956247.001	Magnetic Clutch	1	-	-	C	D	R		
157				8							110	5956257.001	Belt Tension Bracket	1	-	-	-	-			
158				8							117	5956271.001	Belt Roller	1	-	-	-	-			
159			6								79.3	5956288.001	Peel-off Edge	1	-	-	-	-	6-		
160										14	190.3	5956319.001	Axle	1	-	-	-	-	6-		
161		5									72.9	5956322.001	Printhead 6/300	1	A	B	C	D	m		
162		5									71.2	5956343.001	Printhead Mounting Bracket	1	-	-	-	-	4-		
163										14	186.2	5956347.001	Slipping Clutch	1	-	B	C	D	4-,6-		
164		5									71.3	5956359.001	Printhead Mounting Bracket	1	-	-	-	-	6-		
165		5									63.3	5956361.001	Printhead Locking System	1	-	-	-	-	6-		
166		5									72.2	5958686.001	Printhead 2/600	1	A	B	C	D	cd		
167									13		175.3	5958946.001	Shaft	1	-	-	-	-	6-		
168									13		175.2	5958953.001	Shaft	1	-	-	-	-	4-		
169								11	12	13	152.2	5958954.001	Shell	1	-	-	-	-	4-		
170								11	12	13	154	5958955.001	Cone	1	-	-	-	-	-2		
171								11	12	13	152.1	5958956.001	Shell	1	-	-	-	-	2-2		
172								11	12		148	5958960.001	Cone	1	-	-	-	-	-2		
173								11			149.1	5958963.001	Wall Spacer	1	-	-	-	-	-2		
174									12		149.2	5958966.001	Wall Spacer	1	-	-	-	-	2-3, 4-3		
175								11	12	13	151	5958969.001	Snap Ring	1	-	B	C	D	-2		
176								11			166	5958970.001	Unwinder	1	-	-	-	-	2-2S		
177								11			164	5958973.001	Shaft	1	-	-	-	-	2-2S		
178								11			163	5958974.001	Retainer	1	-	-	-	-	-2S		
179								11			165	5958975.001	Cap	1	-	-	-	-	-2S		
180								11			160.1	5958976.001	Margin Stop	1	-	-	-	-	-2		

PU Package unit

SPR Spare part recommendation

- 2- Hermes+2...
- 4- Hermes+4/4.3...
- 6- Hermes+6...
- 2S Hermes+...-2S
- 2 Hermes+...-2
- 3 Hermes+...-3
- R Ribbon Saver

- a Hermes+2/300-2/2S
- b Hermes+2/300-3
- c Hermes+2/600-2/2S
- d Hermes+2/600-3
- e Hermes+4/200
- f Hermes+4/300
- g Hermes+4/600

- h Hermes+4.3/200
- i Hermes+4.3/300
- k Hermes+6/200
- m Hermes+6/300

- A wearing parts and accessories
- B recommended spare parts for quick repair
- C recommended spare parts for distributors
- D recommended spare parts for central stores

Pos.	Figure/Page										No.	Part No.	Description	PU	SPR					Notes	Serial No.			
	11	12	13	14	15	16	17	18	19	20					21	22	23	24	25		26	27	28	29
181										11	12		159	5958977.001	Spring	1	-	-	-	-	-	-2		
182										11			161.1	5958978.001	Margin Stop	1	-	-	-	-	-	-2		
183											12		160.2	5958983.001	Margin Stop	1	-	-	-	-	-	-3		
184											12		161.2	5958984.001	Margin Stop	1	-	-	-	-	-	-3		
185										11	12	13	152.3	5958988.001	Shell	3	-	-	-	-	-	6-		
186										11	12	13	156.1	5958991.001	Set Knob	1	-	-	-	-	-			7189
187											12		158.5	5958992.001	Unwinder	1	-	-	-	-	-	4-3		
188											12		153.5	5958997.001	Shaft	1	-	-	-	-	-	4-3		
189			5										63.2	5959468.001	Printhead Locking System	1	-	-	-	-	-	4-		
190	3												11	5959732.001	Threaded Plate	1	-	-	-	-	-			
191				8									116	5959913.001	Gear 30	1	-	-	-	-	-			
192	3												12	5960139.001	Control Panel	1	-	-	-	C	D			
193								10					133	5961009.001	Brake Plate	1	-	-	-	C	D			
194				7									103.1	5961013.001	Axle	1	-	-	-	-	-	2-		
195				7									104.1	5961015.001	Roller ZR2	1	-	-	-	C	D	2-		
196			5										55.1	5961021.001	Profile	1	-	-	-	-	-	2-		
197				6									79.1	5961023.001	Peel-off Edge	1	-	-	-	-	-	2-		
198				7									107.2	5961024.001	Guide	1	-	-	-	-	-	2-2/3		
199												14	190.1	5961027.001	Axle	1	-	-	-	-	-	2-		
200		4		7									47	5961044.001	Switch	1	-	-	-	C	D			
201								10					139.2	5961047.001	Lever	1	-	-	-	-	-	-3		
202								10					134.2	5961049.001	Pendulum	1	-	-	-	-	-	-3		
203	3												3	5961073.001	Spring	1	-	-	-	-	-			
204		4											43	5961082.001	PCB Ribbon Saver	1	-	-	-	C	D	R		
205								10					138.1	5961098.001	Pivot Arm	1	-	-	-	-	-			
206								10					140.2	5961099.001	Roller	1	-	-	-	-	-	4-		
207				6									85	5961109.001	Side Plate	1	-	-	-	-	-			
208		4											44	5961110.001	Guide	1	-	-	-	-	-			
209				7									94	5961111.001	Guide	1	-	-	-	-	-			
210				7									96.1	5961113.001	Lever	1	-	-	-	-	-			4164
211				7									99.1	5961114.001	Locking System	1	-	-	-	-	-			4164
212				7									89	5961115.001	Side Plate	1	-	-	-	-	-			
213								10					132.1	5961117.001	Brake Lever	1	-	-	-	-	-	-2/-2S		
214												14	195.2	5961119.001	Ribbon Take-up Hub	1	-	-	-	-	-	4-		
215				7									108.5	5961122.001	Roller	1	-	-	-	-	-	4-		5349
216				7									100.3	5961124.001	Belt Roller	1	-	-	-	-	-	4-		
217						8							119	5961126.001	Side Plate	1	-	-	-	-	-			
218			5										73	5961128.001	Side Plate	1	-	-	-	-	-			
219			5										52	5961130.001	Switch Lever	1	-	-	-	-	-			
220				6									81.2	5961132.001	Profile	1	-	-	-	-	-	4-		
221				6									86.2	5961136.001	Label Sensor	1	-	-	B	C	D	4-		
222												14	187	5961141.001	Wall Spacer	1	-	-	-	-	-			
223												13	176.2	5961143.001	Hub	1	-	-	-	-	-	4-2		
224												13	174.1	5961144.001	Cone	1	-	-	-	-	-	-2/2S		
225												12	146.2	5961146.001	Material Sensor	1	-	-	-	-	-	-3		
226								10					132.2	5961150.001	Brake Lever	1	-	-	-	-	-	-3		
227												12	168	5961152.001	Sensor Plate	1	-	-	-	-	-	-3		
228												13	176.5	5961153.001	Hub	1	-	-	-	-	-	4-3		
229												13	174.2	5961154.001	Cone	1	-	-	-	-	-	-3		
230	3												9.2	5961187.001	Cover	1	-	-	-	-	-	4-2		
231	3												9.1	5961190.001	Cover	1	-	-	-	-	-	2-2/-2S		
232	3												9.3	5961196.001	Cover	1	-	-	-	-	-	6-2		
233		4	5	6						11	12	14	23	5961201.001	Cable Sensors	1	-	-	-	-	D			
234			5										55.3	5961204.001	Profile	1	-	-	-	-	-	6-		
235	3												7	5961207.001	Cover	1	-	-	-	-	-			
236				7									107.4	5961215.001	Guide	1	-	-	-	-	-	6-		
237				6									86.3	5961218.001	Label Sensor	1	-	-	B	C	D	6-		
238				7									104.4	5961220.001	Roller ZR6	1	-	-	-	-	D	6-		
239				7									103.3	5961221.001	Axle	1	-	-	-	-	-	6-		
240				7									102.4	5961223.001	Shaft	1	-	-	-	-	-	6-		

PU Package unit

SPR Spare part recommendation

- 2- Hermes+2...
- 4- Hermes+4/4.3...
- 6- Hermes+6...
- 2S Hermes+...-2S
- 2 Hermes+...-2
- 3 Hermes+...-3
- R Ribbon Saver

- a Hermes+2/300-2/2S
- b Hermes+2/300-3
- c Hermes+2/600-2/2S
- d Hermes+2/600-3
- e Hermes+4/200
- f Hermes+4/300
- g Hermes+4/600

- h Hermes+4.3/200
- i Hermes+4.3/300
- k Hermes+6/200
- m Hermes+6/300

- A wearing parts and accessories
- B recommended spare parts for quick repair
- C recommended spare parts for distributors
- D recommended spare parts for central stores

Pos.	Figure/Page													No.	Part No.	Description	PU	SPR					Notes	Serial No.		
																		from	to							
241				6										83.3	5961227.001	Spindle	1	-	-	-	-	-	6-			
242													13	175.1	5961233.001	Shaft	1	-	-	-	-	-	2-			
243				6										86.1	5961249.001	Label Sensor	1	-	B	C	D		2-			
244				6										83.1	5961258.001	Spindle	1	-	-	-	-	-	2-			
245				7										99.2	5961266.001	Locking System	1	-	-	-	-	-		4165		
246				7										98	5961267.001	Screw	1	-	-	-	-	-		4165		
247				7										102.3	5961269.001	Shaft	1	-	-	-	-	-	4-	4267		
248				7										95.2	5961270.001	Link	1	-	-	-	-	-		4165		
249				7										96.2	5961273.001	Lever	1	-	-	-	-	-		4165		
250													14	186.1	5961278.001	Slipping Clutch	1	-	B	C	D		2-			
251										11	12	13		155	5961286.001	Washer	1	-	-	-	-	-	-2			
252				7										102.1	5961288.001	Shaft	1	-	-	-	-	-	2-			
253													13	170	5961289.001	Slipping Clutch	1	-	B	C	D					
254	3													2.2	5961296.001	Cover	1	-	-	-	-	-	2-3, 4-, 6-			
255		4												24.3	5961297.001	Cable Printhead	1	-	-	-	-	D	efg			
256				7										104.3	5961298.001	Roller ZR4	1	-	-	C	D		4-	4267		
257		4			8									27.3	5961306.001	Stepper Motor	1	-	-	C	D		bdefhikm			
258			5											63.1	5961311.001	Printhead Locking System	1	-	-	-	-	-	2-			
259				7										100.2	5961312.001	Belt Roller	1	-	-	-	-	-	2-2/3			
260													14	195.1	5961313.001	Ribbon Take-up Hub	1	-	-	-	-	-	2-			
261													14	196.1	5961314.001	Ribbon Supply Hub	1	-	-	-	-	-	2-			
262													13	176.1	5961315.001	Hub	1	-	-	-	-	-	2-2/2S			
263									10					140.1	5961317.001	Belt Roller	1	-	-	-	-	-	2-			
264				7										108.3	5961318.001	Roller	1	-	-	-	-	-	2-2/3		5349	
265													14	189	5961319.001	Wall Spacer	1	-	-	-	-	-				
266			5											71.1	5961321.001	Printhead Mounting Bracket	1	-	-	-	-	-	2-			
267													14	196.2	5961322.001	Ribbon Supply Hub	1	-	-	-	-	-	4-			
268				6										81.1	5961323.001	Profile	1	-	-	-	-	-	2-			
269				6										81.3	5961330.001	Profile	1	-	-	-	-	-	6-			
270				7										100.4	5961331.001	Belt Roller	1	-	-	-	-	-	6-			
271													14	195.3	5961332.001	Ribbon Take-up Hub	1	-	-	-	-	-	6-			
272													14	196.3	5961333.001	Ribbon Supply Hub	1	-	-	-	-	-	6-			
273													13	176.3	5961334.001	Hub	1	-	-	-	-	-	6-2			
274				7										108.7	5961336.001	Roller	1	-	-	-	-	-	6-		5349	
275										10				140.3	5961337.001	Belt Roller	1	-	-	-	-	-	6-			
276		4												24.5	5961338.001	Cable Printhead	1	-	-	-	-	D	km			
277				7										107.1	5961352.001	Guide	1	-	-	-	-	-	2-2S			
278				7										100.1	5961358.001	Belt Roller	1	-	-	-	-	-	2-2S			
279				7										108.1	5961359.001	Roller	1	-	-	-	-	-	2-2S		5349	
280										11				153.1	5961362.001	Shaft	1	-	-	-	-	-	2-2			
281										11				153.2	5961363.001	Shaft	1	-	-	-	-	-	4-2			
282										11				153.3	5961364.001	Shaft	1	-	-	-	-	-	6-2			
283										11				158.1	5961365.001	Unwinder	1	-	-	-	-	-	2-2			
284										11				158.2	5961366.001	Unwinder	1	-	-	-	-	-	4-2			
285										11				158.3	5961367.001	Unwinder	1	-	-	-	-	-	6-2			
286		4			8									27.4	5961379.001	Stepper Motor	1	-	-	C	D		g			
287										11				162	5961396.001	Cone	1	-	-	-	-	-	-2S			
288											12			153.4	5961434.001	Shaft	1	-	-	-	-	-	2-3			
289											12			158.4	5961435.001	Unwinder	1	-	-	-	-	-	2-3			
290													13	176.4	5961438.001	Hub	1	-	-	-	-	-	2-3			
291													12	153.6	5961448.001	Shaft	1	-	-	-	-	-	6-3			
292				7										108.2	5961464.001	Roller	1	-	-	-	-	-	2-2S	5350		
293				7										108.4	5961465.001	Roller	1	-	-	-	-	-	2-2/3	5350		
294				7										108.6	5961467.001	Roller	1	-	-	-	-	-	4-	5350		
295				7										108.8	5961469.001	Roller	1	-	-	-	-	-	6-	5350		
296													13	176.6	5961487.001	Hub	1	-	-	-	-	-	6-3			
297				6	7	8				10	11	12	13	14	PS	5961571.001	Washer Set	1	-	-	-	-	-			
298				5										70.1	5961574.001	Antistatic Brush	1	-	-	-	-	-	2-			
299				5										70.2	5961575.001	Antistatic Brush	1	-	-	-	-	-	4-			
300				6										82.2	5961579.001	Cam Axle	1	-	-	-	-	D	6-, R			

PU Package unit

SPR Spare part recommendation

- 2- Hermes+2...
- 4- Hermes+4/4.3...
- 6- Hermes+6...
- 2S Hermes+...-2S
- 2 Hermes+...-2
- 3 Hermes+...-3
- R Ribbon Saver

- a Hermes+2/300-2/2S
- b Hermes+2/300-3
- c Hermes+2/600-2/2S
- d Hermes+2/600-3
- e Hermes+4/200
- f Hermes+4/300
- g Hermes+4/600

- h Hermes+4.3/200
- i Hermes+4.3/300
- k Hermes+6/200
- m Hermes+6/300

- A wearing parts and accessories
- B recommended spare parts for quick repair
- C recommended spare parts for distributors
- D recommended spare parts for central stores

Pos.	Figure/Page										No.	Part No.	Description	PU	SPR					Notes	Serial No.		
																					from	to	
301												57.2	5961582.001	Bracket	1	-	-	-	-	-	6-		
302										12	158.6	5961618.001	Unwinder	1	-	-	-	-	-	6-3			
303										12	149.3	5961619.001	Wall Spacer	1	-	-	-	-	-	6-3			
304											14	188.1	5961660.001	Axle	1	-	-	-	-	-	2-		
305											14	188.2	5961661.001	Axle	1	-	-	-	-	-	4-		
306											14	188.3	5961662.001	Axle	1	-	-	-	-	-	6-		
307											4	48	5961676.001	PCB IO Interface	1	-	-	-	C	D			
308										10	138.2	5961698.001	Pivot Arm	1	-	-	-	-	-				
309										8	113	5962347.001	Gear 48	1	-	-	-	-	-				
310										8	27.1	5965035.001	Stepper Motor	1	-	-	-	C	D	a			
311											5	64.2	5977536.001	Roller Ribbon	1	-	-	-	-	-	4-		
312											5	64.1	5984325.001	Roller Ribbon	1	-	-	-	-	-	2-		
313											5	64.3	5984348.001	Roller Ribbon	1	-	-	-	-	-	6-		

## 14 Packaging/Accessories

Pos.	Figure/Page										No.	Part No.	Description	PU	SPR					Notes	Serial No.	
																					from	to
314											-	5550611.001	Power Cable Type E+F	1	-	-	-	-	-			
315											-	5901655.001	Cable USB	1	-	-	-	-	-			
316											-	9104240.001	Packaging	1	-	-	-	-	-	2-2/-2S, 4-2		
317											-	9104255.001	Packaging	1	-	-	-	-	-	6-2		
318											-	9104259.001	Packaging	1	-	-	-	-	-	2-3, 4-3		
319											-	9104265.001	Packaging	1	-	-	-	-	-	6-3		

PU Package unit

SPR Spare part recommendation

2- Hermes+2...  
4- Hermes+4/4.3...  
6- Hermes+6...  
-2S Hermes+...-2S  
-2 Hermes+...-2  
-3 Hermes+...-3  
R Ribbon Saver

a Hermes+2/300-2/2S  
b Hermes+2/300-3  
c Hermes+2/600-2/2S  
d Hermes+2/600-3  
e Hermes+4/200  
f Hermes+4/300  
g Hermes+4/600

h Hermes+4.3/200  
i Hermes+4.3/300  
k Hermes+6/200  
m Hermes+6/300

A wearing parts and accessories  
B recommended spare parts for quick repair  
C recommended spare parts for distributors  
D recommended spare parts for central stores