

Spare Parts List



Off-cut remover

# HEKTOR 2

## 2 Spare parts list for the following products

2

Type	
Off-cut remover	Hektor 2

Edition: 11/2024 - Part.-No.: 9003787

### Copyright

This documentation as well as translation hereof are property of cab Produkttechnik GmbH & Co. KG.

The replication, conversion, duplication or divulgement of the whole manual or parts of it for other intentions than its original intended purpose demand the previous written authorization by cab.

### Editor

Regarding questions or comments please contact cab Produkttechnik GmbH & Co. KG.

### Topicality

Due to the constant further development of our products discrepancies between documentation and product can occur. Please check [www.cab.de](http://www.cab.de) for the latest update.

### Terms and conditions

Deliveries and performances are effected under the General conditions of sale of cab.

## Table of Contents

1 Spare Parts / Blades .....	3
2 Spare parts register .....	4
3 Packaging / Accessories .....	4

Germany  
**cab Produkttechnik GmbH & Co KG**  
Karlsruhe  
Phone +49 721 6626 0  
[www.cab.de](http://www.cab.de)

USA  
**cab Technology, Inc.**  
Chelmsford, MA  
Phone +1 978 250 8321  
[www.cab.de/us](http://www.cab.de/us)

Taiwan  
**cab Technology Co., Ltd.**  
Taipei  
Phone +886 (02) 8227 3966  
[www.cab.de/tw](http://www.cab.de/tw)

Singapore  
**cab Singapore Pte. Ltd.**  
Singapore  
Phone +65 6931 9099  
[www.cab.de/en](http://www.cab.de/en)

France  
**cab Technologies S.à.r.l.**  
Niedermodern  
Phone +33 388 722501  
[www.cab.de/fr](http://www.cab.de/fr)

Mexico  
**cab Technology, Inc.**  
Juárez  
Phone +52 656 682 4301  
[www.cab.de/es](http://www.cab.de/es)

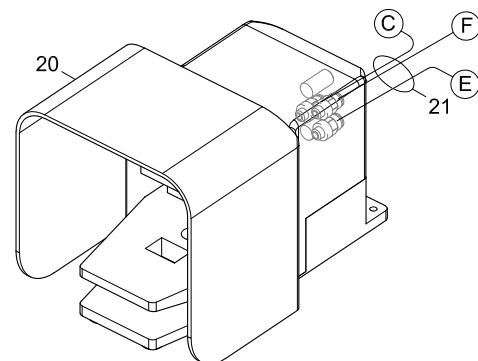
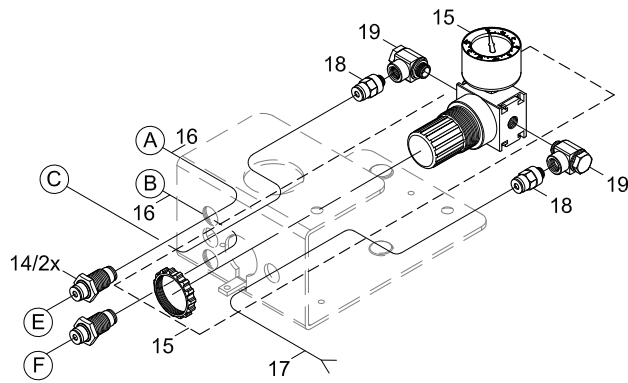
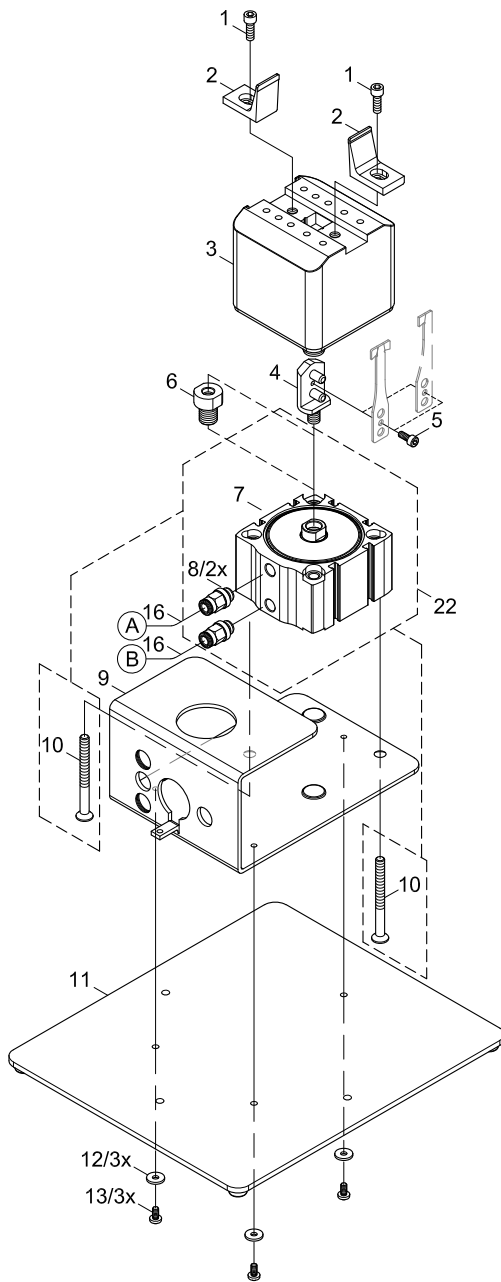
China  
**cab (Shanghai) Trading Co., Ltd.**  
Shanghai  
Phone +86 (021) 6236 3161  
[www.cab.de/cn](http://www.cab.de/cn)

South Africa  
**cab Technology (Pty) Ltd.**  
Randburg  
Phone +27 11 886 3580  
[www.cab.de/za](http://www.cab.de/za)

No.	Part-No.	Description	PU	Note	Serial No.	
					from	to
1	5902159.001	Screw DIN912-M5x12	10			
2	8932171.001	Matrix	1			
3	8932188.001	Holder	1			
4.1	8914745.001	Adapter	1		7555	
4.2	8932102.001	Adapter	1		7554	
5	5902002.001	Screw DIN912-M4x10	10			
6	8914737.001	Adapter	1		7554	
7	8914742.001	Short Lift Cylinder	1	A	6447	
8	5905423.001	Push In Connection	1			
9	8932182.001	Baseplate	1			
10	5902362.001	Screw DIN7991 M6x70	10			

No.	Part-No.	Description	PU	Note	Serial No.	
					from	to
11	8932697.001	Baseplate	1			
12	5903520.001	Washer DIN7349-4.3	10			
13	5902034.001	Screw DIN7985-M4x8	10			
14	5905465.001	Push-in/threaded Fitting M14x1	1			
15	5905427.001	Pressure Regulator	1			
16	8932979.001	Tube	1			
17	8932978.001	Tube	1			
18	5905423.001	Push-in/threaded Fitting	1			
19	5905256.001	Threaded L-Fitting	1			
20	8933516.001	Foot Switch	1			
21	8932961.001	Tube	1			
22	8914738.001	Add-On Ki	1			

A In case of changing on devices with serial number under 6447 order Add-On Kit (22) and change the parts complete



Blade		Milled groove width	Blade width	Blade length	Cutting length	Solder side free of components	Milled groove length	Off-cut width
Part no.		A	B	C	D	E	F	G
8932137.001	Blade 1,5 T	≥ 1.5	1.35	17.2	4.7	> 19	> 19	3
8932138.001	Blade 2,0 T	≥ 2.0	1.85	17.2	5.2	> 19	> 19	3
8932191.001	Blade 2,4 T	≥ 2.4	2.25	18	5.7	> 19	> 19	3
8932139.001	Blade 2,5 T	≥ 2.5	2.35	18	5.7	> 19	> 19	3
8932144.001	Blade 3,0 T	≥ 3.0	2.85	18	5.7	> 19	> 19	2.5
8932122.001	Blade 1,5 L	≥ 1.5	1.35	12	4.7	> 15	> 13	3
8932123.001	Blade 2,0 L	≥ 2.0	1.85	12	5.2	> 15	> 13	3
8932141.001	Blade 2,4 L	≥ 2.4	2.25	12	5.7	> 15	> 13	3
8932124.001	Blade 2,5 L	≥ 2.5	2.35	12	5.7	> 15	> 13	3
8932125.001	Blade 3,0 L	≥ 3.0	2.85	12	5.7	> 15	> 13	2.5

Pos.	Figure/Page	No.	Part No.	Description	PU	SPR	Notes	Serial No.	
								from	to
1	3	5	5902002.001	Screw DIN912-M4x10	10				
2	3	13	5902034.001	Screw DIN7985-M4x8	10				
3	3	1	5902159.001	Screw DIN912-M5x12	10				
4	3	10	5902362.001	Screw DIN7991 M6x70	10				
5	3	12	5903520.001	Washer DIN7349-4.3	10				
6	3	19	5905256.001	Threaded L-Fitting	1				
7	3	18	5905423.001	Push-in/threaded Fitting	1				
8	3	15	5905427.001	Pressure Regulator	1				
9	3	14	5905465.001	Push-in/threaded Fitting M14x1	1				
10	3	8	5905423.001	Push In Connection	1				
11	3	6	8914737.001	Adapter	1				7554
12	3	22	8914738.001	Add-On Kit	1				
13	3	7	8914742.001	Short Lift Cylinder	1		A	6447	
14	3	4.1	8914745.001	Adapter	1			7555	
15	3	4.2	8932102.001	Adapter	1				7554
16	3	2	8932171.001	Matrix	1				
17	3	9	8932182.001	Baseplate	1				
18	3	3	8932188.001	Holder	1				
19	3	11	8932697.001	Baseplate	1				
20	3	21	8932961.001	Tube	1				
21	3	17	8932978.001	Tube	1				
22	3	16	8932979.001	Tube	1				
23	3	20	8933516.001	Foot Switch	1				

### 3 Packaging / Accessories

Pos.	Figure/Page	No.	Part No.	Description	PU	SPR	Notes	Serial No.	
								from	to
24			8932133.001	Packaging	1				

PU Package unit

Note A In case of changing on devices with serial number under 6447 order Add-On Kit (22) and change the parts complete

SPR Spare part recommendation

A - wearing parts and accessories

B - recommended spare parts for quick repair

C - recommended spare parts for distributors

D - recommended spare parts for central stores