

Spare Parts List



Demand Module

5112 / 5114 / 5116

Spare Parts List for the following products

Description	Type
Demand Module	5112-L
	5112-R
	5114-L
	5114-R
	5116-L
	5116-R

Table of Contents

1	Drawings: Spare Parts	3
1.1	Base- / Mounting Plate, Dispense Plate.....	3
1.2	Belt Roller.....	4
2	Spare parts index	5
3	Packaging/Accessories	5

Edition: 11/2025 - Part.-No. 9009260

Copyright

This documentation as well as translation hereof are property of cab Produkttechnik GmbH & Co. KG.

The replication, conversion, duplication or divulgement of the whole manual or parts of it for other intentions than its original intended purpose - in particular the procurement of spare parts for products sold by cab – demand the previous written authorisation by cab.

Editor

Regarding questions or comments please contact cab Produkttechnik GmbH & Co. KG.

Topicality

Due to the constant further development of our products discrepancies between documentation and product can occur.

Please check www.cab.de for the latest update.

Terms and conditions

Deliveries and performances are effected under the “General conditions of sale of cab”

Germany
cab Produkttechnik GmbH & Co KG
Karlsruhe
Phone +49 721 6626 0
www.cab.de

USA
cab Technology, Inc.
Chelmsford, MA
Phone +1 978 250 8321
www.cab.de/us

Taiwan
cab Technology Co., Ltd.
Taipei
Phone +886 (02) 8227 3966
www.cab.de/tw

Singapore
cab Singapore Pte. Ltd.
Singapore
Phone +65 6931 9099
www.cab.de/en

France
cab Technologies S.à.r.l.
Niedermodern
Phone +33 388 722501
www.cab.de/fr

Mexico
cab Technology, Inc.
Juárez
Phone +52 656 682 4301
www.cab.de/es

China
cab (Shanghai) Trading Co., Ltd.
Shanghai
Phone +86 (021) 6236 3161
www.cab.de/cn

South Africa
cab Technology (Pty) Ltd.
Randburg
Phone +27 11 886 3580
www.cab.de/za

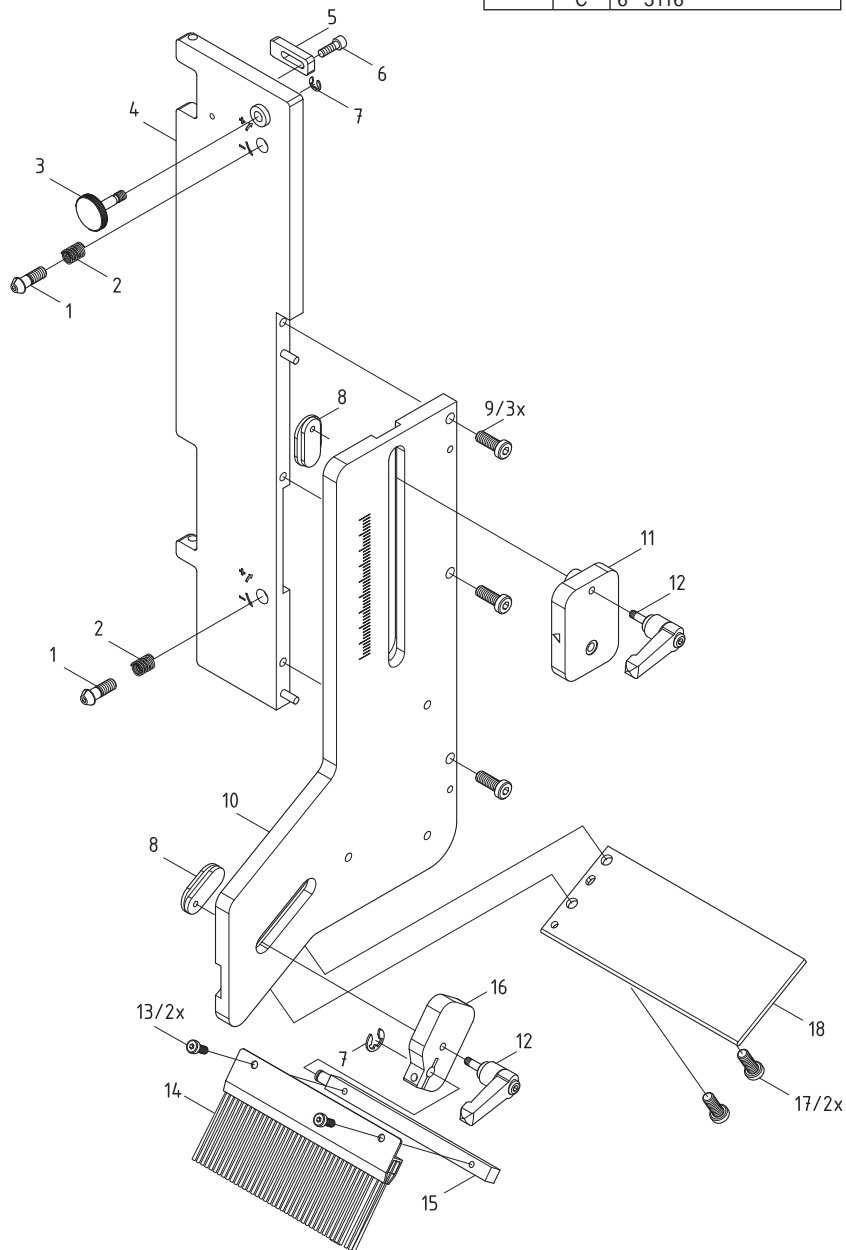
1 Drawings: Spare Parts

1.1 Base- / Mounting Plate, Dispense Plate

No	Part No.	Description	PU	Note	Serial No.	
					from	to
1	5965963.001	Set Screw	1			
2	5904544.001	Spring	10			
3	5964367.001	Knurled Screw	1			
4.1	5962344.001	Mounting Plate	1	L		
4.2	5966476.001	Mounting Plate	1	R		
5	5949115.001	Interlock	1			
6	5902489.001	Screw DIN7984-M4x8	10			
7	5903525.001	E-Ring DIN 6799-4	10			
8	5964294.001	Slide	1			
9	5902361.001	Screw DIN7984-M6x16	10			
10.1	5964296.001	Base Plate	1	L		
10.2	5966478.001	Base Plate	1	R		
11	5964293.001	Plate	1			
12	5906951.001	Clamping Lever	1			

No	Part No.	Description	PU	Note	Serial No.	
					from	to
13	5902565.001	Screw DIN7984-M4x10	10			
14.1	6010896.001	Brush	1	A		
14.2	5964286.001	Brush	1	B		
14.3	5964370.001	Brush	1	C		
15.1	6010895.001	Axle	1	A		
15.2	5964288.001	Axle	1	B		
15.3	5964368.001	Axle	1	C		
16.1	5964285.001	Plate	1	L		
16.2	5966479.001	Plate	1	R		
17	5902375.001	Screw DIN7984-M6x10	10			
18.1	6010894.001	Dispense Plate	1	A		
18.2	5964290.001	Dispense Plate	1	B		
18.3	5964369.001	Dispense Plate	1	C		

Note	L	Left
	R	Right
	A	2" 5112
	B	4" 5114
	C	6" 5116



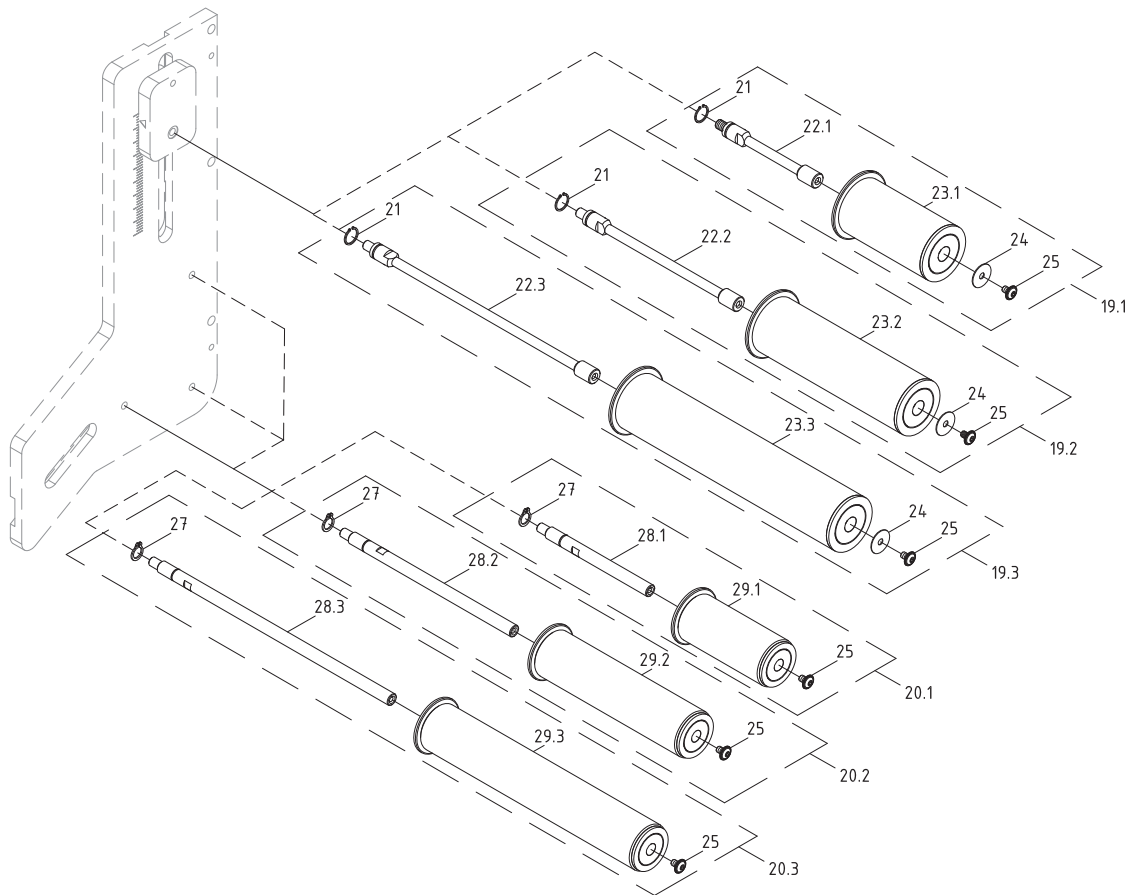
1 Drawings: Spare Parts

1.2 Belt Roller

No	Part No.	Description	PU	Note	Serial No.	
					from	to
19.1	6010440.001	Belt Roller	1	A		
19.2	6010424.001	Belt Roller	1	B		
19.3	6010443.001	Belt Roller	1	C		
20.1	6010892.001	Belt Roller	1	A		
20.2	6010878.001	Belt Roller	1	B		
20.3	6010901.001	Roller	1	C		
21	5903527.001	Snap Ring DIN471-10x1	10			
22.1	6010433.001	Axle	1	A		
22.2	6010428.001	Axle	1	B		
22.3	6010437.001	Axle	1	C		
23.1	6010533.001	Belt Roller	1	A		
23.2	6010536.001	Belt Roller	1	B		
23.3	6010539.001	Belt Roller	1	C		

No	Part No.	Description	PU	Note	Serial No.	
					from	to
24	6010506.001	Washer	1			
25	5902817.001	Screw sim. ISO7380-M4x6	10			
27	6010893.001	Snap Ring DIN471-8x0.8	10			
28.1	6010879.001	Axle	1	A		
28.2	6010902.001	Axle	1	B		
28.3	6010531.001	Axle	1	C		
29.1	6010534.001	Belt Roller	1	A		
29.2	6010537.001	Belt Roller	1	B		
29.3	6010537.001	Belt Roller	1	C		

Note	L	Left
	R	Right
	A	2" 5112
	B	4" 5114
	C	6" 5116



2 Spare parts index

5

Pos.	Figure/Page	No.	Part No.	Description	VPE	PU	SPR	Serial No.	
								from	to
1	3	9	5902361.001	Screw DIN7984-M6x16	10		-		
2	3	17	5902375.001	Screw DIN7984-M6x10	10		-		
3	3	6	5902489.001	Screw DIN7984-M4x8	10		-		
4	3	13	5902565.001	Screw DIN7984-M4x10	10		-		
5		4	25	5902817.001	Screw sim. ISO7380-M4x6	10		-	
6		4	27	5903516.001	Snap Ring DIN471-8x0.8	10		-	
7	3	7	5903525.001	E-Ring DIN 6799-4	10		-		
8		4	21	5903527.001	Snap Ring DIN471-10x1	10		-	
9	3	2	5904544.001	Spring	10		C		
10	3	12	5906951.001	Clamping Lever	1		D		
11	3	5	5949115.001	Interlock	1		-		
12	3	4.1	5962344.001	Mounting Plate	1	L	-		
13	3	16.1	5964285.001	Plate	1	L	-		
14	3	14.2	5964286.001	Brush	1	B	C		
15	3	15.2	5964288.001	Axle	1	B	-		
16	3	18.2	5964290.001	Dispense Plate	1	B	-		
17	3	11	5964293.001	Plate	1		-		
18	3	8	5964294.001	Slide	1		-		
19	3	10.1	5964296.001	Base Plate	1	L	-		
20	3	3	5964367.001	Knurled Screw	1		-		
21	3	15.3	5964368.001	Axle	1	C	-		
22	3	18.3	5964369.001	Dispense Plate	1	C	-		
23	3	14.3	5964370.001	Brush	1	C	C		
24	3	1	5965963.001	Set Screw	1		-		
25	3	4.2	5966476.001	Mounting Plate	1	R	-		
26	3	10.2	5966478.001	Base Plate	1	R	-		
27	3	16.2	5966479.001	Plate	1	R	-		
28		4	26	5983190.001	Screw	1	B	B	
29		4	19.2	6010424.001	Belt Roller	1	B	-	
30		4	22.2	6010428.001	Axle	1	B	-	
31		4	22.1	6010433.001	Axle	1	A	-	
32		4	22.3	6010437.001	Axle	1	C	-	
33		4	19.1	6010440.001	Belt Roller	1	A	-	
34		4	19.3	6010443.001	Roller	1	C	-	
35		4	24	6010506.001	Washer	1		-	
36		4	29.1	6010531.001	Belt Roller	1	A	-	
37		4	23.1	6010533.001	Belt Roller	1	A	-	
38		4	29.2	6010534.001	Belt Roller	1	B	-	
39		4	23.2	6010536.001	Belt Roller	1	B	-	
40		4	29.3	6010537.001	Belt Roller	1	C	-	
41		4	23.3	6010539.001	Belt Roller	1	C	-	
42		4	20.2	6010878.001	Belt Roller	1	B	-	
43		4	28.2	6010879.001	Axle	1	B	-	
44		4	20.1	6010892.001	Belt Roller	1	A	-	
45		4	28.1	6010893.001	Axle	1	A	-	
46	3	18.1	6010894.001	Dispense Plate	1	A	-		
47	3	15.1	6010895.001	Axle	1	A	-		
48	3	14.1	6010896.001	Brush	1	A	C		
49		4	20.3	6010901.001	Belt Roller	1	C	-	
50		4	28.3	6010902.001	Axle	1	C	-	

3 Packaging/Accessories

Pos.	Figure/Page	No.	Part No.	Description	VPE	PU	SPR	Serial No.	
								from	to
51			5964291.001	Packaging	1	A/B	-		
52			9104314.001	Packaging	1	C	-		

PU Package unit
 SPR Recommendation
 A - wearing parts and accessories
 B - recommended spare parts for quick repair
 C - recommended spare parts for distributors
 D - recommended spare parts for central stores

Note L Left
 R Right
 A 2" 5112
 B 4" 5114
 C 6" 5116